

Written Description/ Sufficiency of Disclosure

January 16, 2019

ICG Meeting

Japan Patent Office

- 1. Case Studies: Cases 1-3**
- 2. Case Studies: Cases 4-6**
- 3. Case Studies: Cases 7,8**
- 4. Next Step and Expected Outcome**

● Cases 1-3 : Chemistry, Support Requirement

- Studies by IP5 Offices ✓
- Opinions from IP5 Users ✓
- Compile a final report taking into account users' opinion ✓

- Approved at IP5 Heads Meeting ✓
- Published on IP5 Website ✓

Completed

**Newly
Completed**

- Cases 1-3 : Recent Efforts

June 2018: Approved at IP5 Heads Meeting.

August 2018: Published the final report on IP5 Website.

All tasks in Cases 1-3 have been completed!!

● Summary of the final report

	User	EPO	JPO	KIPO	CNIPA	USPTO
Case 1	Yes	Yes	Yes	Yes	Yes	Yes
Case 2	Conditional (Yes/No)	No	Yes/No	Yes	Yes/No	Yes
Case 3	Yes	Yes	Yes	Yes	Yes	Yes

➤ Cases 1 and 3

The IP5 Offices' judgments were made in a more concrete manner within the users' judgment.

➤ Case 2

As the users were not able to reach any unified opinion, IP5 Offices' judgments varied depending on which perspectives were adopted and the difference of interpretation of the common general technical knowledge and description.

1. **Case Studies: Cases 1-3**
2. **Case Studies: Cases 4-6**
3. **Case Studies: Cases 7,8**
4. **Next Step and Expected Outcome**

- Cases 4-6 : Electric/Machine, Clarity (and Support) Requirement

- Studies by IP5 Offices ✓
- Compile an interim report ✓
- Seek opinions from IP5 Users ✓

Completed

- Compile a final report taking into account users' opinion

IP5 Offices are reviewing the final report

- Approved at IP5 Heads Meeting

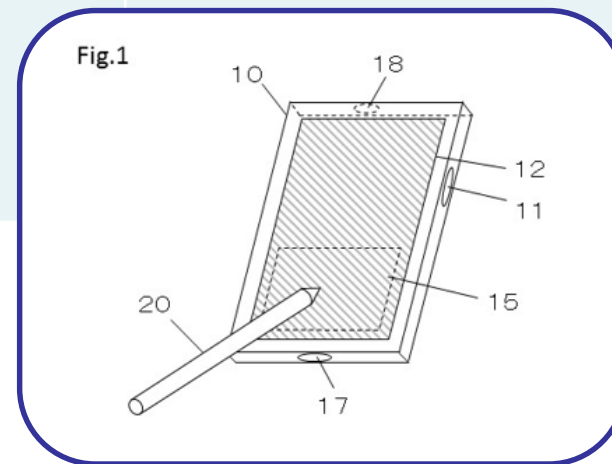
● Summary of the final report (overview of Cases 4-6)

		User	EPO	JPO	KIPO	CNIPA	USPTO
Case 4	Clarity	Same number of Yes and No	Yes	Yes	Yes	Yes	Yes
	Support	Relatively large number of Yes	Yes	Yes	Yes	Yes	Yes
Case 5	Clarity	Relatively large number of No	No	Yes	Yes	No	Yes
	Support	Vary among Yes, No, and Both	Yes	Yes	Yes	Yes	No
Case 6	Clarity	Relatively large number of No	No	No	No	Yes	No
	Support	Relatively large number of Yes	No	No	Yes	No	No

It was difficult to summarize users' opinions into either Yes or No. Therefore, the results showed how widely the opinions varied among the users.

● Summary of the final report (determination on Case 4)

Case 4	IP5 Offices	Users
A device for performing character input by touching a displayed keyboard	All IP5 Offices determined that Case 4 satisfied both the clarity requirement and support requirement.	Some users prefer clearer expression in the claims than “means for ...”.

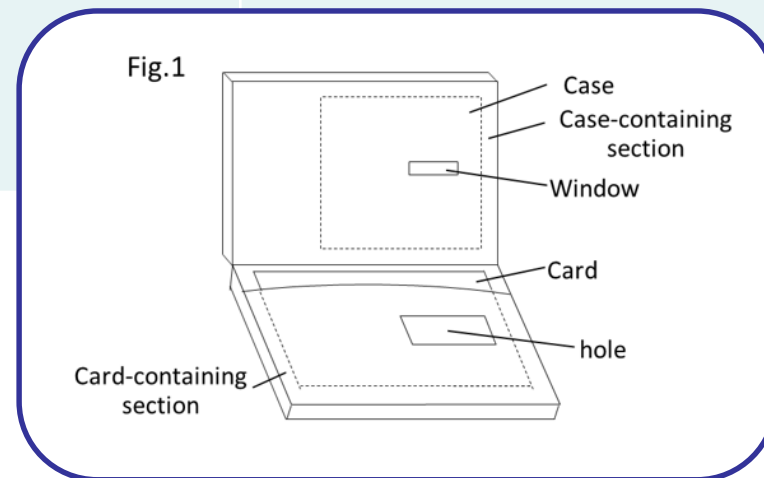


- Summary of the final report (determination on Case 5)

Case 5	IP5 Offices	Users
A method for approximating the amount of net coulomb charge charged/discharged in a rechargeable battery.	Three Offices determined that either the clarity requirement or support requirement was not satisfied. Two Offices determined that both the clarity requirement and support requirement were satisfied.	Many users determined that the wording “a specific current condition or a specific voltage condition” was unallowable.

● Summary of the final report (determination on Case 6)

Case 6	IP5 Offices	Users
A stamping device suited for stamping dates on business cards.	All IP5 Offices determined that Case 6 does not satisfied at least any of the clarity requirement and support requirement.	Many users determined that the claim did not satisfy the clarity requirement.



- Current Status and Next Step

Current: IP5 Offices are reviewing the final report.

June 2019: Approved at IP5 Heads Meeting.

Publishing the final report on IP5 Website.

- 1. Case Studies: Cases 1-3**
- 2. Case Studies: Cases 4-6**
- 3. Case Studies: Cases 7,8**
- 4. Next Step and Expected Outcome**

- Cases 7,8 : Electric/Chemistry, Enablement Requirement
 - IP5 Offices decided to cancel the new case study, considering users' view.

- 1. Case Studies: Cases 1-3**
- 2. Case Studies: Cases 4-6**
- 3. Case Studies: Cases 7,8**
- 4. Next Step and Expected Outcome**

- Next Step

June 2019: Approval to close this project upon publishing the final report of cases 4-6 on IP5 Website.

- Expected outcomes

For Users: (1) understand each office's practice
(2) resource for drafting the application documents

For Offices: (1) understand both common points and differences about practice among Offices
(2) build confidence for other offices' examination results

Thank you very much.

