



Europäisches
Patentamt
European
Patent Office
Office européen
des brevets

EBD - EPO Bibliographic Data Specifications

Version 4.5.6 – 26th March 2025





EBD - EPO Bibliographic Data Specifications

Note: This document (and DTD's) will come into force once the ratification of Unitary Patent Protection is completed.

© European Patent Office

This document may be found in the EPO web site www.epo.org

under the navigation tabs

>Searching for patents>Data>Bulk data sets>Manuals

the corresponding DTD may be found under the navigation tabs

>Searching for patents>Data> Bulk data sets

just below "*Other useful resources are*" by clicking on the hyperlink

> our download page for free resources and public files

Should you have questions, comments and/or corrections, please e-mail us at patentdata@epo.org

TABLE OF CONTENTS

Summary of changes in Version 3	8
Summary of changes in Version 3.1	8
Summary of changes in Version 3.2	9
Summary of changes in Version 3.21	9
Summary of changes in Version 3.22	9
Summary of changes in Version 3.23	10
Summary of changes in Version 3.24	10
Summary of changes in Version 3.24.1	10
Summary of changes in Version 3.24.2	10
Summary of changes in Version 3.25	11
Summary of changes in Version 3.26	11
Summary of changes in Version 4.0	11
Summary of changes in Version 4.1	12
Summary of changes in Version 4.2	12
Summary of changes in Version 4.3	12
Summary of changes in Version 4.4	12
Summary of changes in Version 4.5	12
Summary of changes in Version 4.5.1	12
Summary of changes in Version 4.5.2	12
Summary of changes in Version 4.5.3	12
Summary of changes in Version 4.5.4	13
Summary of changes in Version 4.5.5	13
Summary of changes in Version 4.5.6	13
Introduction	14
Data description	15
Overview of bibliographic data flow	20
References	24
Table of tags	25
Item description and general considerations	43
Kinds of EP patent documents	45
XML elements: detailed description	54
<ep-bulletin>: ep-bulletin	54



B000 - Office specific system/file information	56
eptags - EPO specific tags	56
B001EP - Selective mask for states involved	56
B003EP - Indicator 'no A-document published by EPO'	59
B004EP - Re-establishment of rights indicator	59
B005EP - Printer/Producer identification	59
B006EP - Indicator for international applications	59
B007EP- Reserved for EPO internal use	60
B008EP - Indicator for "small changes"	60
B009EP - Text from B725EP tag in the three EPO official languages	60
B010EP - Other rights and legal means of execution	61
B012EP - New revocation procedure (Art 105a)	62
B015EP - Number of copies to be printed	63
B050EP - Free text	64
B053EP - Additional remarks	64
B070EP - B publication technical field (subsequently filed technical information)	64
B075EP - Petition for review	64
B078EP - Date of 'No opposition filed'	67
B080EP - Public notification	67
B090EP - Limitation procedure	68
B091EP - Limitation procedure - Initial filing	69
B092EP - Limitation procedure - Request rejected	70
B093EP - Limitation procedure - Request allowed	71
B100 - Document identification	72
B110 - Publication number of the document (EPO or WIPO)	72
B120 - Plain language designation	73
B130 - Kind of document	75
B132EP - Original kind code	76
B133EP - New kind code	77
B140 - Date of publication	77
B150 - Patent correction information	77
B190 – Publisheing country or organisation	80
B200 - Domestic filing data	81
B210 - Application number	82
B220 - Application filing date	83



B235 - Date of refusal of application	83
B236 - Date of withdrawal of application	83
B237 - Date of application deemed withdrawn	83
B238EP - Date of receipt of request for re-establishment of rights	83
B238 - Date of decision for re-establishment of rights	83
B239 - Date of revocation	83
B241 - Date of request for examination	83
B242 - Date of despatch of the first examination report	83
B243 - Date of 'patent maintained as amended'	83
B244 - Request for conversion (to national application) under EPC Art. 135	84
B245 - Date of suspension (Rule 14) / Interruption (Rule 142) of proceedings	84
B245EP - Suspension/Interruption indicator	84
B246 - Date of resumption of proceedings (Rule 14 / Rule 142)	85
B250 - Filing language	85
B251EP - Procedure language	85
B260 - Publication language	86
B270 - Previously filed application	87
B300, B310, B320, B330 - Priority data	89
B400 – Public availability dates	91
B405 - Patent Bulletin / Gazette information	91
B430 - Unexamined document without grant (first publication)	92
B450 - Document with grant (second publication)	92
B451EP - Date of announcement of intention to grant	93
B452EP - Date of announcement of intention to grant (after 01.07.2002)	93
B453EP - Limitation decision	93
B477 - Document printed as amended, third level of publication (e.g. EPO 'B2')	95
B480 - Corrigendum issued data	95
B500 - Technical Data	96
B510 - International Patent Classification (IPC)	96
B510EP - International Patent Classification (IPCR – in force from week 01-2006)	98
B520EP – Cooperative Patent Classification (CPC)	102
B540 - Title	104
B560 - List of prior art documents	105
B565 - Date of completion of search report	105
B565EP - Date of drawing up and despatch of supplementary search report	105

B566EP - Date of despatch for correction to the search report	105
B598 - Figure number on first (title) page, abstract drawing	106
B600 - References to other legal or procedural related domestic patent documents	106
B610 - Earlier document information	106
B620 - Parent application data	107
B620EP - Divisional application(s)	108
B700 - Parties concerned with the document	109
B710 - Applicants	109
B720 - Inventors	111
B730 - Grantees/Proprietors	113
B740 - Attorney/Representative of the applicant(s)/proprietor(s)	115
B780 - Opposition(s)	116
B790 - Licence(s)	122
B800 - International Convention Data	123
B830 - Information concerning deposit of micro-organisms	123
B840 - Designated contracting states	124
B844EP - States to which the application/patent is extended	124
B848EP - States to which the patent is validated	125
B860 - PCT application data	125
B870 - PCT publication data	126
B880 - Publication of the deferred search report	126
B920 - Opt-out data (UPC)	127
B7000 – Granted patents with Unitary Patent Protection	129
B7001 - Date of filing for a unitary protection request	130
B7002 - Decision date & purport of unitary protection request	130
B7004 - Date of withdrawal of the unitary protection request	131
B7006 – Place of business	131
B7010 – Other rights & legal means of execution	132
B7021 – Date of registration	133
B7022 – Date of effect	133
B7023 – Participating member states	133
B7030 – Licensing commitments	134
B7040 – Information communicated by other authorities	134
B7050 – Renewal fees	135



B7060 – Proceedings before the UPC – actions, action-decisions, appeals, appeal-decisions	136
B7080 – Public notification	141
B7091 – Date of intention to license	142
B7092 – Date of the withdrawal of the intention to license	142
B7120 – Revocation on request	143
B7231 – Date of request for re-establishment of rights	144
B7238 – Date of decision & purport for re-establishment of rights	145
B7239 – Date of revocation	146
B7245 – Date of suspension (Rule 14) / Interruption (Rule 142) of proceedings	146
B7246 – Date of resumption of proceedings (Rule 14 / Rule 142)	146
B7720 – Inventors	147
B7471 – Date of dispatch of the lapse situation	148
B7475 – Date of legal effect of the lapse	148
B7730 – Proprietors of UPP	149
B7740 – Representative of the proprietors of UPP	150
B7790 – Licence registration	151
B7910 - Limitation procedure - Initial filing	152
B7920 - Limitation procedure – Request rejected	153
B7930 - Limitation procedure – Request allowed	154
Character set	155
Unicode Table 1 – C0 Controls and Basic Latin	156
Unicode Table 2 – C1 Controls and Latin-1	159
Publication event list	162



Summary of changes in Version 3

The **main** changes compared with Version 2.2 are:

- The tagging of the data is now XML (WIPO ST.36) compliant compared to SGML (WIPO ST.32)
- Every tag has an end tag
- Some tags are now in lower case eg. <adr>, <city>, <date>
- All attributes are in lower case and the values are in quotes
- There are no “floating” tags:
 -
 is replaced by UTF-8 code 000D – carriage return)
 - <BCHG> and <ECHG> replaced by a new way of indicating changes - see <B002EP> below
- The new IPC standard is introduced (WIPO ST.8)
- The character encoding is now Unicode/UTF-8

Note: 99% of B tags remain the same as in the previous SGML file.

Current users should have few problems converting their systems to these new files. Particular attention should be given to:

- Unicode/UTF-8 encoding – most systems can do this change automatically – the **rendering** (font) of the encoding is left to the user; for example Microsoft Windows users could use Arial Unicode MS
- The way changes are marked up in the new files
- The new IPC coding.

Summary of changes in Version 3.1

- <B510> and <B510EP> details have been updated.

- | |
|--------------------------------------------------------------------------------------------------------------------------------------------------------------------------------------------------------------------------------------------------------------------------------------------------------------------------------------------------------------------------------------------------------|
| <ul style="list-style-type: none">▪ WIPO ST.35 will not be used for XML data delivery▪ Data delivery will only be possible via the EBD website▪ WIPO ST.32 (SGML) and WIPO ST.35 formats will continue to be published on the website into 2008 but users should switch to the XML format which has been the official EPO data from week 1, 2006. |
|--------------------------------------------------------------------------------------------------------------------------------------------------------------------------------------------------------------------------------------------------------------------------------------------------------------------------------------------------------------------------------------------------------|



Summary of changes in Version 3.2

These changes are made due to the introduction of EPC 2000 articles and rules into the EPO systems starting on 13 December 2007 (see: <http://www.epo.org/patents/law/legislative-initiatives/epc2000.html>). In many cases the actual use of the new articles and rules by applicants is unknown - it may be many months and/or years before this new data ever appears in the EBD files but, of course, we must be ready before then to process the data.

For PHASE 2: ep-bulletin.dtd ver 1.1

the following changes have been made:

- version number of DTD changes
- added sequence attribute to root element
- added B075EP + sub-tags - for petition for review
- added B090EP + sub-tags - for limitation request
- added B690 + sub-tags - for previously filed application

Summary of changes in Version 3.21

- removed B690 + sub-tags - previously filed application - from this document. It is still in the DTDs listed above but WILL NOT BE USED (on the advice of WIPO). In PHASE 3 of EPC2000 it will be introduced as, probably, <B270>, but this has to be cleared by WIPO; once it is agreed by WIPO we will issue new DTDs which will also contain other EPC2000 tags.

Summary of changes in Version 3.22

- Added EPC 2000 new Article and Rule numbers in place of old equivalents eg. Art. 158(3) becomes 153(4). (Annex II of EPC 2000 has a cross-reference list).
- Corrected
<!ELEMENT B0900EP (B091EP+) > to <!ELEMENT B0900EP (B091EP) >
(DTD is OK on this point)
- Clarified values at <B0756EP>
- Various tidying up of text layout
- Note that examples may still have the older DTD version number



Summary of changes in Version 3.23

This document covers the changes for Phase 3 a) and b) - which will occur at different times during 2008:

Phase	What	Publ. run	Publ. week
Phase 3 a) Datimtex v1.5	- added: <!ELEMENT B012EP (B0120EP+)> - New revocation procedure - changed: <!ELEMENT B0900EP (B091EP+, B092EP?, B093EP?)> - Limitation procedure - added: <!ELEMENT B270 (dnum, date, ctry, kind?, dtxt*) > - Previously filed application - Changed DTD version number to 1-3 (note: examples may have older version numbers)	2008-04-18	2008-21 (21.05.2008)
Phase 3 b) Datimtex v1.6	- added: details for B3 publications - added: <!ELEMENT B453EP (B4530EP+)> Limitation decision - changed, added attribute <!ELEMENT B132EP (#PCDATA)> <!ATTLIST B132EP sequence CDATA #IMPLIED > - added at <B121EP> Descriptive text for B2 and B3 documents - changed root element attribute values for id and/or file for ep-bulletin.dtd and ep- patent-document.dtd	2008-06-20	2008-30 (23.07.2008)

Summary of changes in Version 3.24

- There have been no new elements or attributes added or changed.
- An additional attribute value has been added to the **comments** of tag <B245EP> - added value "7" = Bankruptcy of the representative (Rule 142(1)c)
- The version number has changed to keep pace with ep-patent-document.dtd where there have been changes (these changes do not affect the abstract)

Summary of changes in Version 3.24.1

On page 26, changed B730 to B731, grantee data.

Summary of changes in Version 3.24.2

Add Montenegro (ME) & San Marino (SM) in B001EP tag



Summary of changes in Version 3.25

- Define B565 tag which will contain the date of completion of search report
- Define tags for the Validation states B848EP & B849EP

Summary of changes in Version 3.26

Define the group tag B7000 to store the following data of the with Unitary Patent Protection (UPP) :

Date of filing for a unitary protection request
Date of withdrawal of the unitary protection request
Decision date & purport of unitary protection request
Place of business
Registration data (date, effect, countries)
Inventors
Proprietor's Reference, name & address
Proprietor's representative
Renewal fees
Date of dispatch of the lapse situation
Date of legal effect of the lapse
Date of request for re- establishment of rights
Date of decision & purport for re-establishment of rights
Intention to license
Withdrawal of the Intention to license
Licence registration
Legal means of execution
Interruption (Rule 142)
Resumption
Revocation
Revocation on request
Limitation procedure - initial request
Limitation procedure - request rejected
Limitation procedure - request allowed
Public notification

Summary of changes in Version 4.0

Define the following additional data of the Unitary Patent Protection (UPP) to be included in the group tag B7000:

Proceedings before the UPC (action, appeal, decision)
Licensing commitment
Information communicated by other authorities

and also (**not** part of the B7000 group tag).

Opt-out dates (registration & withdrawal)
C0 marker



Summary of changes in Version 4.1

Detail definition of the value 9120 stored in B006EP tag

Summary of changes in Version 4.2

Adapt word document to the MS Office 365/Word version
Suppress unnecessary blank pages

Summary of changes in Version 4.3

Define B520EP to store the CPC symbols
Remove value '1' [Stay (Rule 14)] from B7245 because Rule 14 EPC does not apply for the Unitary Protection procedure.

Summary of changes in Version 4.4

Example when a negative decision is changed into a positive decision
New table with the possible values on the UPC "*Decision code*"

Summary of changes in Version 4.5

Table with the possible values of the UPC "*Decision code*" has been reviewed & confirmed by UPC on 5th December 2022. Consequently amend also the examples of B7060 tag (Proceedings before the UPC).
Add new validation state codes in "B001EP - Selective mask for states involved" tag
Explain the value "PBKFEE" in the B7471 @kind attribute
Add that according Rule 5(5),(7) and Rule 5a(1) of the Rules of Procedure of the UPC, the B921 (opt-out) & B922 (withdrawal of the opt-out) tags may also have status="r" or status="d"

Summary of changes in Version 4.5.1

Replace the country name Turkey by Türkiye
Mark B7061 as changed in the example "**Action filed at UPC**"
Do not mark as changed B7062 in the example "Appeal filed on a decision by UPC"
Add tag B7910 tag in the example structure
Review examples of B921 (opt-out) & B922 (withdrawal of the opt-out)
Review UPC "*Decision code*" table to correct the typo "REVOKED_" by "REVOKED"

Summary of changes in Version 4.5.2

Include the following disclaimer for tags B921 (opt-out) & B922 (withdrawal of the opt-out)

Summary of changes in Version 4.5.3

Add disclaimer "*Responsibility for the accuracy, completeness or quality of the data relating to the optouts lies entirely with the Unified Patent Court.*"



Summary of changes in Version 4.5.4

Review UPC “*Decision code*” table to add the decision code “PROCEEDING_TERMINATED”
Review code of the purport for re-establishment of rights (B7238 tag) to keep only the values ‘2’ & ‘3’

Summary of changes in Version 4.5.5

Add a description for B790 tag - Licences

Amend the definition UPC “*Action code*” value ‘P’ to “*Provisional measures on protective measures or injunctions*”

Correct the positions in B001EP Tunisia & Moldova:

87-88	TN	Tunisia **
89-90	MD	Moldova **

Add Georgia country code ‘GE’ in B001EP in positions 91-92

The following tags have also been amended:

- B7061: add attributes *sequence, spc-ctry, spc-number*
- B7065: add attribute *sequence*
- B921 & B922: add attribute *case-number*

Summary of changes in Version 4.5.6

Add the positions in B001EP for Laos:

94-95	LA	Lao People's Democratic Republic **
-------	----	-------------------------------------

In tag “B7050 – Renewal fees”, add this sentence in the description:
It contains the data of the **most recent** *renewal year*.



Introduction

1. What are EBD files? EBD stands for EPO Bibliographic Data (it could also be EP Bulletin Data); the files consist of EPO patent data marked up using XML tags; the data gives details of all newly published applications and patents and recent changes to previously published patents. For example, the data includes details of date of filing, titles, applicant data, classification, priority data, etc. These are fairly complex files which require a good understanding of EPO patent procedures.
2. This document describes the format for bibliographic data used for:
 - 2.1 The EP Bulletin - see: <http://bulletin.european-patent-office.org/>
 - 2.2 The EBD website - see <https://www.epo.org/searching-for-patents/data/bulk-data-sets/ebd.html>
 - 2.3 EPO patent publications – the title page - see: <https://publications.european-patent-office.org/PublicationServer/search.jsp>
 - 2.4 EPO bibliographic data exchange where the mark-up of the data conforms to WIPO Standard ST.36 - see <http://www.wipo.int/scit/en/standards/standards.htm>
3. The format provides for a system independent data format, using XML. (Note that the full text and images of all EP A and B documents are also available in ST.36 (XML) format).
4. The EBD files are available at: <http://www.epo.org/searching/free/ebd.html> **Check the website for the latest updates – including changes to this document.**
5. The application of the standard for bibliographic data processing is described below. As stated, it should be noted that these files contain fairly complex data and a good knowledge of EPO patent rules and formalities is required to make full use of the data, which includes a careful study of this document.
6. **Note:** not all data elements in ST.36 and the ep-bulletin.dtd are used by the EPO; only the ones used are described in this document.

Data description

1. The bibliographic data described below includes all the information according to Rule 143 of the EPC (European Patent Convention, 13th edition; previously Rule 92). That is “**Rule 143 - Entries in the Register of European Patents**”
 - (1) The Register of European Patents shall contain the following entries:
 - (a) number of the European patent application;
 - (b) date of filing of the application;
 - (c) title of the invention;
 - (d) classification symbols assigned to the application;
 - (e) the Contracting States designated;
 - (f) particulars of the applicant for or proprietor of the patent as provided in Rule 41, paragraph 2(c);
 - (g) family name, given names and address of the inventor designated by the applicant for or proprietor of the patent, unless he has waived his right to be mentioned under Rule 20, paragraph 1;
 - (h) particulars of the representative of the applicant for or proprietor of the patent as provided in Rule 41, paragraph 2(d). In the case of several representatives only the particulars of the representative first named, followed by the words "and others" and, in the case of an association referred to in Rule 152, paragraph 11, only the name and address of the association;
 - (i) priority data (date, State and file number of the previous application);
 - (j) in the event of a division of the application, the numbers of all the divisional applications;
 - (k) in the case of a divisional application or a new application under Article 61, paragraph 1(b), the information referred to in sub-paragraphs (a), (b) and (i) with regard to the earlier application;
 - (l) date of publication of the application and, where appropriate, date of the separate publication of the European search report;
 - (m) date of filing of the request for examination;
 - (n) date on which the application is refused, withdrawn or deemed to be withdrawn;
 - (o) date of publication of the mention of the grant of the European patent;



- (p) date of lapse of the European patent in a Contracting State during the opposition period and, where appropriate, pending a final decision on opposition;
- (q) date of filing opposition;
- (r) date and purport of the decision on opposition;
- (s) dates of stay and resumption of proceedings in the cases referred to in Rules 14 & 78;
- (t) dates of interruption and resumption of proceedings in the case referred to in Rule 142;
- (u) date of re-establishment of rights provided that an entry has been made in accordance with sub-paragraph (n) or sub-paragraph (r);
- (v) the filing of a request for conversion under Article 135, paragraph 3;
- (w) rights and transfer of such rights relating to an application or a European patent where these Implementing Regulations provide that they shall be recorded.
- (x) date and purport of the decision on the request for limitation or revocation of the European patent;
- (y) date and purport of the decision of the Enlarged Board of Appeal on the petition for review.

2. This information allows users to keep European Patent Register information up-to-date. For details about the EPO Patent Register see: www.epo.org and click on the **European Patent Register link**. The big differences between the Register and EBD files are:
 - 2.1 The register provides complete historical data for a patent file plus other information not included in Rule 143. The EBD covers one publication week and all new and changed data during that week.
 - 2.2 The EBD provides bulk data (for a publication week only) which can be downloaded for database updates etc. The Register deals with individual files only.
3. It must be stressed that this format will be used only for EP publication data and not necessarily, for example, from other EPO systems such as DOCDB and EPOQUE.
4. All data in the EBD format is extracted from the EPO's EPASYS database - a database that contains all procedural data regarding European patent documents. EPASYS data input is the responsibility of many EPO staff (examiners and formalities officers) with many thousands of transactions taking place per day. No new data content is added during the conversion to the EBD format (except XML tags) - we can only process what is in the EPASYS database. If there is a mistake in EPASYS, for example, there will be a mistake in the EBD data.



5. Once per week there is a process, called 'Publication Run', which extracts from all the data required from EPASYS for the publication of EP A and B publications, the EP Bulletin and for data exchange purposes. It is at this time that the bibliographic data file is created. Therefore, the data is a 'photograph' of all the previous weeks additions, changes, etc. in EPASYS.
6. It should be noted that the EBD file is not a cumulative record of all the changes which may have been made to a file (for this users should refer to the Register of European Patents (see above) - it is a 'snap shot' of only those changes which occurred in a particular publication week. In addition there is a clear distinction between A and B publications (separate files) since these are separate documents for publication purposes - therefore, the B file is not an update of the A file; it is a file in its own right (extracted from EPASYS) - although, of course, much of the data may be the same in both files.
7. Pursuant to Article 83(3)(4) Agreement on a Unified Patent Court, a proprietor of or an applicant for a European patent may opt out from the exclusive competence of the Court and withdraw their opt out at any time. The opt out and its withdrawal take effect upon their entry in the UPC Register. The date of registration of the opt-out & the date of withdrawal of the opt-out will be stored in the the B921 & B922 respectively.
8. According to Rule 5(5),(7) and Rule 5a(1) of the Rules of Procedure of the UPC, the proprietor of a European patent or the applicant for a published application for a European patent may record a correction of the opt-out/withdrawal of the opt-out or the removal of an unauthorised opt-out/unauthorised withdrawal of an opt out. Consequently, the B921 & B922 tags may also have a status="r" (replaced) or status="d" (deleted).
9. For EP patents with **"Unitary patent protection" (UPP)** the related bibliographic data will be stored in a new group tag B7000 and will include all the items described in the UPR Rule16 and in the [Regulation \(EU\) No 1257/2012](#)
 - R 16(1)(a), UPR - (a) date of publication of the mention of the grant of the European patent;
 - R 16(1)(b), UPR - (b) date of filing of the request for unitary effect for the European patent;
 - R 16(1)(c), UPR - (c) particulars of the representative of the proprietor of the European patent as provided for in Rule 41, paragraph 2(d), EPC; in the case of several representatives, only the particulars of the representative first named, followed by the words "and others" and, in the case of an association referred to in Rule 152, paragraph 11, EPC, only the name and address of the association;
 - R 16(1)(d), UPR - (d) date and purport of the decision on the registration of unitary effect for the European patent
 - R 16(1)(e), UPR - (e) date of registration of the unitary effect of the European patent;



- R 16(1)(f), UPR - (f) date of effect of the European patent with unitary effect pursuant to Article 4, paragraph 1, Regulation (EU) No 1257/2012;
- R 16(1)(g), UPR - (g) participating Member States in which the European patent with unitary effect has unitary effect pursuant to Article 18, paragraph 2, Regulation (EU) No 1257/2012
- R 16(1)(h), UPR - (h) particulars of the proprietor of the European patent with unitary effect as provided for in Rule 41, paragraph 2(c), EPC;
- R 16(1)(i), UPR - (i) family name, given names and address of the inventor designated by the applicant for or proprietor of the patent, unless he has waived his right to be mentioned under Rule 20 paragraph 1 EPC;
- R 16(1)(j), UPR - (j) rights and transfer of such rights relating to the European patent with unitary effect where the present Rules provide that they shall be recorded at the request of an interested party;
- R 16(1)(k), UPR - (k) licensing commitments undertaken by the proprietor of the European patent with unitary effect in international standardisation bodies pursuant to Article 9, paragraph 1(c), Regulation (EU) No 1257/2012, where the proprietor requested their registration;
- R 16(1)(l), UPR - (l) date of filing and date of withdrawal of the statement provided for in Rule 12;
- R 16(1)(m), UPR - (m) date of lapse of the European patent with unitary effect
- R 16(1)(n), UPR - (n) data as to the payment of renewal fees for the European patent with unitary effect, including, where applicable, data on the payment of an additional fee pursuant to Rule 13, paragraph 3;
- R 16(1)(r), UPR - (r) date of receipt of a request for re-establishment of rights;
- R 16(1)(s), UPR - (s) refusal of a request for re-establishment of rights;
- R 16(1)(t), UPR - (t) date of re-establishment of rights;
- R 16(1)(u), UPR - (u) dates of interruption and resumption of proceedings;
- R 16(1)(w), UPR - (w) information regarding a place of business of the applicant on the date of filing of the application for the European patent pursuant to Article 7, paragraph 1(b), Regulation (EU) No 1257/2012 provided by the proprietor of the European patent or of the European patent with unitary effect.
- R 16(1)(o), UPR – (o) a record of the information communicated to the European Patent Office concerning proceedings before the Unified Patent Court;



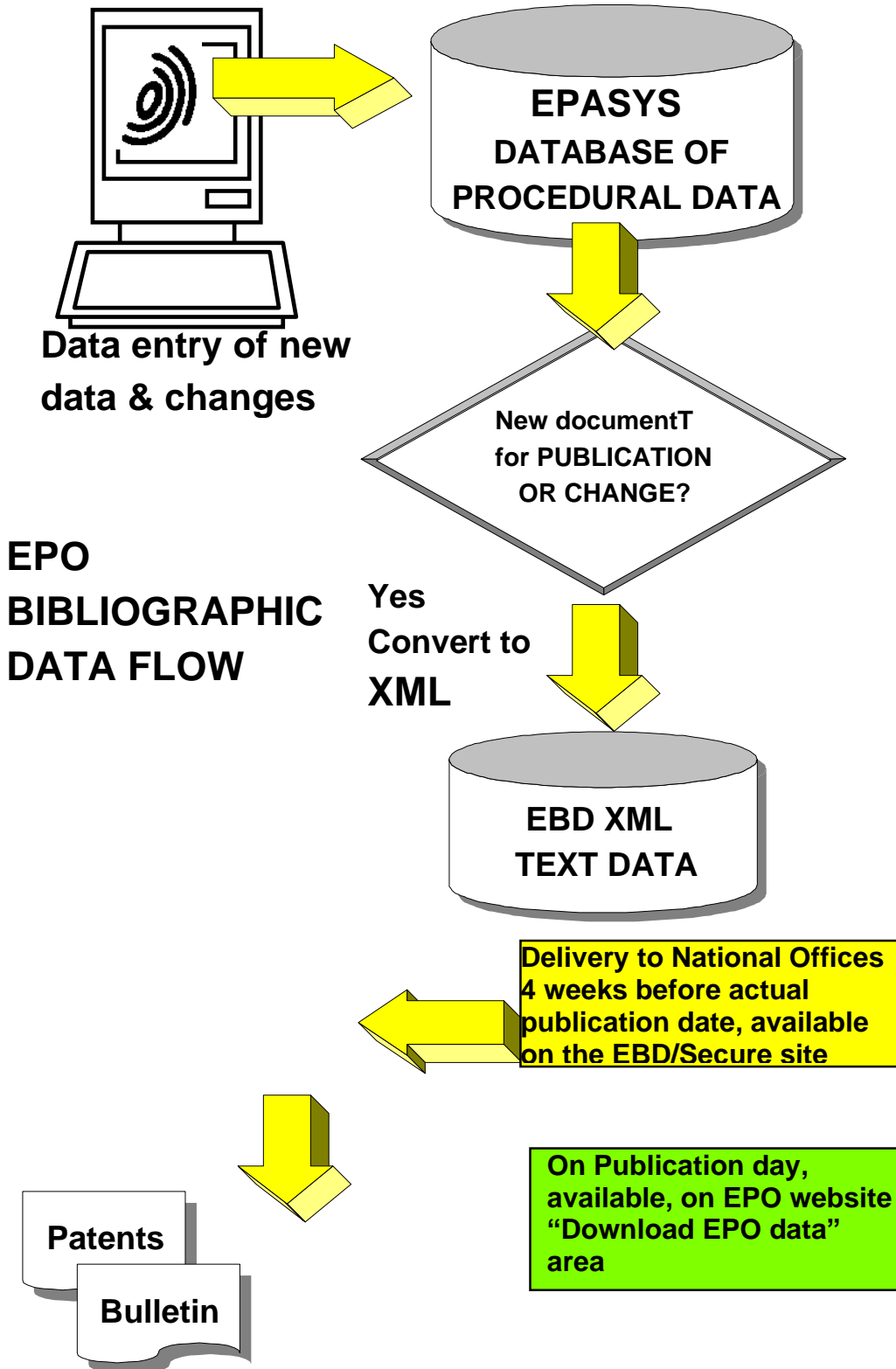
- R 16(1)(p), UPR – (p) a record of the information communicated to the European Patent Office by the central industrial property offices, courts and other competent authorities of the participating Member States;
- R 16(1)(q), UPR - (q) date and purport of the decision on the validity of a European patent with unitary effect taken by the Unified Patent Court;
- R 16(1)(v), UPR - (v) date of issuance, date of expiry and date and purport of the decision on the validity of a supplementary protection certificate for a product protected by the European patent with unitary effect as well as the participating Member State issuing it.

According to Regulation (EU) No 1257/2012 on page L 36/4 , Article 2 mentions “Register for unitary patent protection’ means the register constituting part of the European Patent Register in which the unitary effect and any limitation, licences, transfer, revocation or lapse of a European patent with unitary effect are registered”. Therefore the revocation dates and limitation data will be also stored in the EBD/St.36 XML file in B7000 group tag.

Useful references about the “**Unitary patent protection**” (UPP):

Title	Web link
Implementing enhanced cooperation in the area of the creation of unitary patent protection	Regulation (EU) No 1257/2012
Implementing enhanced cooperation in the area of the creation of unitary patent protection with regard to the applicable translation arrangements	Council regulation (EU) No 1260/2012
Agreement on a Unified Patent Court	AGREEMENT on a Unified Patent Court (2013/C 175/01)

Overview of bibliographic data flow



In terms of volume and size of data the average weekly bibliographic data for 2014 was :

New (first) EP publications:

A1 and A2 : 1400 Docs
A3 : 360 Docs
B1 : 1052 Docs
B2 : 15 Docs

Euro PCT : 2485 Docs

Changed EP publications:

A1 and A2 : 11400 Docs
B1 and B2 : 6400 Docs

WIPO publications:

WIPO 2(A1) : 3680 Docs
WIPO 2(A2) : 400 Docs

Note: when stored all these files will be 'zipped' to create a zip file with a size varying from 5 to 50MB, containing two files: one for all A publications and one for all B publications - these will extract to, say, 35 and 350 MB respectively in 2014.

10. When extracting the data from EPASYS we have split the job into the following parts:
 - 10.1 A1 and A2: EP patent applications and Euro-PCT's (Art. 153(4)) which have not been published in one of the three EPO languages.

These are listed in the EP Bulletin in Section I.1(2)
 - 10.2 A3: EP patent applications (Title page plus search report)

These are listed in the EP Bulletin in Section I.1(3)
 - 10.3 B1: EP patent specifications

These are listed in the EP Bulletin in Section II.1(1)
 - 10.4 B2: NEW EUROPEAN PATENT SPECIFICATION
NEUE EUROPÄISCHE PATENTSCHRIFT
NOUVEAU FASCICULE DE BREVET EUROPEEN

to be followed with a new second line indicating B2
'After Opposition procedure'
'Nach dem Einspruchsverfahren'
'Après la procédure d'opposition'



These are listed in the EP Bulletin in Section II.1(2)

10.5 B3: NEW EUROPEAN PATENT SPECIFICATION
NEUE EUROPÄISCHE PATENTSCHRIFT
NOUVEAU FASCICULE DE BREVET EUROPEEN

to be followed with a second line indicating a B3

'After limitation procedure (B3-1)'

'Nach dem Beschränkungsverfahren (B3-1)'

'Après la procédure de limitation (B3-1)'.

These are listed in the EP Bulletin in Section II.1(3)

10.6 Euro-PCT applications:

International applications which have entered the European phase (Art 153(1)). These are listed in the EP Bulletin in Section I.1(1) which contains all Euro-PCT applications for which the EPO has not printed the A-document. To identify these applications in the Bulletin Section I.1(1), an asterisk '*' is printed next to the publication number.

10.7 International applications not entering the European phase.

These are listed in the EP Bulletin in Section I.2 which contains all international applications which have not paid the fees in due time and therefore are not entering the European phase.

10.8 A-patent application changes

These are listed in the EP Bulletin in Section I.12

10.9 B-patent specification changes

These are listed in the EP Bulletin in Section II.12

11. The new EP publications:

A1, A2 and A3: EP patent applications

B1, B2 and B3: EP patent specifications

need little explanation - these are the documents coded as "ready for publication" 4.5 weeks before the publication. Therefore, for example, the EPO publication contractors will use this data, together with data previously captured by them, eg. description and drawings, to create and print the final patent documents for that week.

12. Changed EP documents:

These need more explanation - especially on the size of the two files: generally over



10 MB altogether.

In the EP Bulletin only brief details are given of changes to published documents. The most common changes, for A documents, for example, are shown in Section I.7: "Date of filing of request for examination", with the following format:

(11) 0 851 243 13.10.1999

In the XML file ALL the bibliographic data for this publication would be given.



References

The following documents are of importance to this document:

WIPO Standard ST.36: Recommendation for the Processing of Patent Information using XML

WIPO Standard ST.3, Two-Letter code for countries, organizations etc.

WIPO Standard ST.8, Recording of international patent classification (IPC)

WIPO Standard ST.9, Recommendation concerning bibliographic data on and relating to patent documents.

WIPO Standard ST.50, Guidelines for Issuing corrections, alterations and supplements relating to patent information

Note: These standards can be viewed/downloaded from the WIPO Internet site:
www.wipo.int/scit/en/standards/standards.htm

Extensible Markup Language (XML) 1.0 (Third Edition). W3C Recommendation 4th February 2004, François Yergeau, Tim Bray, Jean Paoli, C. M. Sperberg-McQueen, Eve Maler (see: <http://www.w3.org/XML/>)

international Standard ISO 639:1988, Code for the representation of names of languages.

The Unicode Standard, Version 4.0 - see: <http://www.unicode.org/>



Table of tags

These tables do **not** include all bibliographic tags listed in WIPO ST.36 and in the DTD; only those required for the Bulletin-EBD format. The table is followed by a detailed description of each tag and example mark up.

Key to column headers:

INID: an acronym for “Internationally agreed Numbers for the Identification of (bibliographic) Data.”): a list of approximately 60 distinct bibliographic data widely used on the first page of patent documents or in Patent Gazettes. (See WIPO ST.9)

Rep tag: Repeat tag

INID code	Rep Tag	Bibliographic tag			Description
		ep-bulletin			The root tag for each patent bibliographic file
		SDOBI			Sub-DOcument for B ibliographic data
		B000			Office specific system/file information
		EPTAGS			EPO specific tags
			B001EP		Selective mask for states involved
			B002EP		Changed tags
			B003EP		EURO-PCT applications for which no EPO.A-document published
			B004EP		Re-establishment of rights indicator
			B005EP		Printer identification
			B006EP		Indicator for international applications
			B007EP		Reserved for EPO internal use
			B008EP		Indicator for small changes
			B009EP		Text from B725EP tag in the three EPO official languages
				text	Each language within text tag
			B010EP		Other rights & legal means of execution
	R			B011EP	Date, serial number & states concerned
				date	Date of notification
				dnum	Serial number of the legal right
				text	Sequence counter



INID code	Rep Tag	Bibliographic tag			Description
	R			ctry	Country code (States concerned)
			B012EP		New revocation procedure (Art 105a)
	R		B0120EP		Revocation-procedure
				B0121EP	Revocation request filed on (date)
				B0122EP	Kind of revocation
				B0123EP	Decision on revocation request
				B0124EP	Paid on (date)
				B0125EP	Language
				B0126EP	Date of despatch of the decision
				B0127EP	Date of legal effect
			B015EP		Number of documents to be printed
			B050EP		Free text
	R				Language and text
				B051EP	Language
				B052EP	Text
	R		B053EP		Additional remarks
			B070EP		B publication technical field (subsequently filed technical information)
			B078EP	date	Date of 'No opposition filed'
			B075EP		Petition for reviews
	R			B0750EP	Petition for review
				B0751EP	Appeal number
				B0752EP	Petitioner code
				B0753EP	<date> Date of notice of petition
				B0755EP	<date> Date of decision
				B0756EP	Kind of decision
			B080EP		Public notification
				B081EP	Inspection place
				B082EP	Addressee
				snm	Name
				adr	Address



INID code	Rep Tag	Bibliographic tag				Description	
					str	Street	
					city	City, town	
					ctry	Country	
				B083EP		Free text	
			B090EP			Limitation procedures	
	R			B0900EP		Limitation procedure	
					B091EP	Limitation filing data	
					B0911EP	Limitation filing (date)	
					B0912EP	Limitation filing kind	
					B0913EP	Limitation filing decision	
					B0914EP	Limitation payment (date)	
					B092EP	Limitation request rejected	
					B0921EP	Kind of rejection	
					B0922EP	Decision despatched (date)	
					B0923EP	Legal effect on (date)	
					B093EP	Limitation request allowed	
					B0931EP	Despatched on (date)	
					B0932EP	Translation received on (date)	
					B0933EP	Full payment received on (date)	
10		B100				Document identification	
11			B110			Number of the document (EPO or WIPO publication)	
12			B120			Plain language designation	
			B121			Plain language designation of the kind of document	
			B121EP			Descriptive text for B121 (EPO)	
13		B130				Kind of document	
		B132EP				Original kind code	
		B133EP				New kind code	
		B140	date			Document date, usually date of publication	
15		B150				Patent correction information	



INID code	Rep Tag	Bibliographic tag			Description
			B151		Supplementary correction code
			B152	date	Issue date of announced correction being cancelled.
			B153		Affected INID codes
			B154		Standard notes
	R			B1541	Note language
	R			B1542	Note text
			B155		Affected parts of document
	R			B1551	Part language
	R			B1552	Part text
		B190			Publishing country or organisation
20		B200			Domestic filing data
21		B210			Number assigned to the application (EPO number with check digit)
22		B220	date		Application filing date
23		B230			Other dates
			B235	date	Date of refusal of application
			B236	date	Date of withdrawal of application
			B237	date	Date of application deemed withdrawn
			B238EP	date	Date of receipt of request for re-establishment of rights
			B238	date	Date of decision for re-establishment of rights
			B239	date	Date of revocation
24		B240			Dates from which industrial property rights may have effect
			B241	date	Date of request for examination
			B242	date	Date of despatch of the first examination report
			B243	date	Date of 'patent maintained as amended'
			B244		Request for conversion under Article 135
				date	Date of the request for conversion to National application



INID code	Rep Tag	Bibliographic tag				Description
				ctry		Country code (States concerned)
			B245	date		Date of suspension (Rule 14) / Interruption (Rule 142) of proceedings
			B245EP			Suspension/Interruption indicator
			B246	date		Date of resumption of proceedings (Rule 14 / Rule 142)
25		B250				Filing language
		B251EP				Procedure language
26		B260				Publication language
27		B270				Previously filed application
			dnum			Document number
				anum		Document application number
			date			Date
			ctry			Country
			kind			Kind
	R		dtxt			Free text
30		B300				Priority data
	R					Priority elements
31			B310			Number
32			B320	date		Date
33			B330	ctry		Country in which the priority application was filed
40		B400				Public availability dates
		B405				Patent Bulletin / Gazette information
			date			Publication date
			bnum			Issue number of the Bulletin
43		B430				Unexamined document without grant (first publication)
			date			Publication date
			bnum			Issue number of the Bulletin
45		B450				Document with grant (second publication)
			date			Publication date



INID code	Rep Tag	Bibliographic tag			Description
			bnum		Issue number of the Bulletin
		B451EP	date		Date of announcement of intention to grant without preceding Examination report.
		B452EP	date		Date of announcement of intention to grant without preceding Examination report (after 01.07.2002).
		B453EP			Limitation decisions
	R		B4530EP		Limitation decision
				kind	Kind
				date	Date
				bnum	Issue number of the Bulletin
		B472			Term of grant
			B475		Lapse of a patent
	R				Lapse elements
				date	Date of lapse
				ctry	Country code (State concerned)
		B477			Document printed as amended, third level of publication (e.g EPO 'B2')
			date		Publication date
			bnum		Issue number of the Bulletin
48		B480			Date of issuance of corrected patent document
			date		Publication date
			bnum		Issue number of the Bulletin
50		B500			Technical Data
		B510			International patent classification
			B516		Edition of IPC
51			B511		Main classification (IPCL)
51	R		B512		Further classification (OBSC)
	R		B513		Additional information. (NOSC)
	R		B514		Linked indexing code. (NOSC)
	R		B515		Unlinked indexing code. (NOSC)



INID code	Rep Tag	Bibliographic tag			Description
			B517EP		Non obligatory supplementary classification as one string. (NOSC)
51		B510EP			International patent classification (IPCR)
	R		classification-ipcr		IPCR symbols
				text	IPCR value according to WIPO/ST8
		B520EP			Cooperative Patent Classification (CPC)
		classifications-cset			Group of classifications CSet
	R		classification-cset		Group of linked CPC symbols
				classification-cpc	CPC symbols with a group
				text	CPC value according to CPC standard
		classifications-cpc			Group of classifications CPC symbols
	R		classification-cpc		CPC symbols
				text	CPC value according to CPC standard
54		B540			Title
	R				Language and text
			B541		Language of the title
			B542		Title of the invention
56		B560			List of prior art documents
	R		B561		Patent citation
				text	The actual citation
	R		B562		Non patent citation
				text	The actual citation
			B565	date	Date of completion of search report
			B565EP	date	Date of drawing up and despatch of supplementary search report
			B566EP	date	Date of despatch for correction to the search report
		B590			Information about specifications and drawings
	R		B598		Figure number on first (title) page, abstract drawing
60		B600			References to other legal or procedural related domestic patent documents



INID code	Rep Tag	Bibliographic tag				Description
61		B610				Earlier document information
		parent				Parent relation
			pdoc			Earlier document data
				dnum	text	Document number
					anum	Application number
					pnum	Publication number
				date		Date of receipt
60		B620				Parent application
		parent				Parent relation
	R		pdoc			Parent application data
				dnum	text	Document number
					anum	Application number
					pnum	Publication number
				date		Date of receipt
62		B620EP				Divisional application(s)
		parent				Parent relation
	R		cdoc			Divisional application data
				dnum	text	Document number
					anum	Application number
					pnum	Publication number
				date		Date of receipt
70		B700				Parties concerned with the document
71		B710				Applicants
	R		B711			Applicant data
				snm		Name
				iid		EPO number of the Applicant
				irf		Reference from the Applicant
	R			syn		Synonym cross reference for the Applicant
				adr		Address
					str	Street



INID code	Rep Tag	Bibliographic tag				Description
					city	Town
					ctry	Country code
				B716EP		Designated states for the applicant Used only when some of the designated states are mentioned
	R				ctry	Country code
				B717EP		Designated extension for the applicant Used only when some of the extended states are mentioned
	R				ctry	Country code
				B718EP	date	Effective date for transfer of rights
72		B720				Inventors
	R		B721			Inventor data
					snm	Name
					adr	Address
					str	Street
					city	Town
					ctry	Country code
				B725EP		The inventor has agreed to waive his entitlement to designation
					text	Text for entitlement to designation
73		B730				Grantees/Proprietors
	R		B731			Grantee/Proprietor data
					snm	Name
					iid	EPO number of the Grantee/Proprietor
					irf	Reference from the Grantee/Proprietor
	R				syn	Synonym cross reference for the Grantee
					adr	Address
					str	Street
					city	Town
					ctry	Country code



INID code	Rep Tag	Bibliographic tag			Description	
				B736EP	Designated states for the grantee/proprietor. Used only when some of the designated states are mentioned	
	R				ctry	Country code
				B737EP	Designated extension state for the grantee/proprietor. Used only when some of the extended states are mentioned	
	R				ctry	Country code
				B738EP	date	Effective date for transfer of rights
74		B740			Attorney/ Representative of the applicant(s)/proprietor(s)	
	R		B741		Attorney/Representative data	
				snm	Name	
				sfx	Suffix 'et al'	
				iid	EPO number of the attorney/agent	
				adr	Address	
					str	Street
					city	Town
					ctry	Country code
		B780			Opposition(s)	
	R		B781		Opponent data	
				dnum	Serial number of the opposition	
					text	The number
				date	Date of opposition	
				kind	Kind code of the result from the examination on admissibility	
				snm	Name	
				iid	EPO number of the opponent	
				adr	Address	
					str	Street
					city	Town
					ctry	Country code
				B784	Attorney/Representative of the opponent	



INID code	Rep Tag	Bibliographic tag				Description
					snm	Name
					sfx	Suffix 'et al'
					iid	EPO number of the attorney/agent
					adr	Address
					str	Street
					city	Town
					ctry	Country code
			B787	date		Date of rejection of the opposition procedure
			B788	date		Date of termination of the opposition procedure
		B790				Licence(s)
	R		B791			Licence data
					dnum	Serial number of the licence
					text	The number
					date	Date of legal effect of the licence
					kind	Kind of licence
					snm	Name
					iid	EPO number of the licensee
					adr	Address
					str	Street
					city	Town
					ctry	Country code
					B796	Designated states concerned
	R				ctry	Country code
80		B800				International Convention Data
83		B830				Information concerning deposit of micro-organisms
			B830EP			EPO Declaration
			B831			Depository institution
			B832			Accession number
			B833			Date of deposit



INID code	Rep Tag	Bibliographic tag				Description
			B834			Term of deposit
			B835			Free text
84		B840				Designated contracting states
	R		ctry			Country code
		B844EP				States to which the application/patent is extended
	R		B845EP			Extended state data
				ctry		Country code
				date		Date of receipt of payment
				B846EP	date	Date of withdrawal
		B848EP				States to which the application/patent is validated
	R		B849EP			Validated state data
				ctry		Country code
				date		Date of receipt of payment
86		B860				PCT application data
			B861			PCT date of filing & application number
				dnum	text	PCT Document number
					anum	PCT Application number
				date		Date of filing
			B862			Filing language
87		B870				PCT publication data
			B871			PCT date, issue number & publication number
				dnum	text	PCT Document number
					pnum	PCT Publication number
				date		PCT Publication date
				bnum		Issue number of the Gazette
88		B880				Publication of the search report
			date			Publication date
			bnum			Issue number of the Bulletin
		B900				



INID code	Rep Tag	Bibliographic tag				Description
		B920				Opt-out data (UPC)
			B921	date		Registration date of the opt-out
			B922	date		Withdrawal date of the opt-out



INID code	Rep Tag	Bibliographic tag			Description
		B7000			Unitary Patent Protection data
		B7001	date		Date of unitary request
		B7002	date		Date of decision on unitary request
		B7004	date		Date of withdrawal of unitary request
		B7006			Place of business
			adr		Address
				str	Street
				city	City
				ctry	Country
		B7010			Other rights & legal means of execution
	R		B7011		Date, serial number & states concerned
				date	Date of notification
				dnum	Serial number of the legal right
				text	Sequence counter
	R			ctry	Country code (States concerned)
		B7020			Registration/Effect data
			B7021	date	Date of registration
			B7022	date	Date of effect
			B7023		Participating Member States
	R			ctry	Country code
		B7030			Licensing commitments
	R		B7031	date	Date of licensing
				onm	Name of the international standardisation body
		B7040			Information communicated by other authorities
	R		B7041	date	Date of registration
				ctry	Country code
		B7050			Renewal fee data
			B7052	date	Date of payment of the renewal fee



INID code	Rep Tag	Bibliographic tag			Description
			B7053	date	Date on which the penalty fee period starts if renewal fee not paid in time
			B7054	date	Date of payment of the penalty fee
		B7060			Proceedings before the UPC (actions, action-decisions, appeals, appeal-decisions)
	R		B7061		Filed action at the UPC
				date	Date of filing
	R		B7062	date	Date of decision given by the UPC
	R			B7065	date Date of appeal on a decision
	R			B7066	date Date of decision on an appeal
		B7080			Public notification
			B7081		Inspection place
			B7082		Addressee
				snm	Name
				adr	Address
				str	Street
				city	City, town
				ctry	Country
		B7090			Intention to license data
			B7091	date	Date of filing
			B7092	date	Date of withdrawal
		B7120			New revocation procedure (Art 105a)
			B7121	date	Revocation request filed date
			B7122		Kind of revocation
			B7123		Decision on revocation request
			B7124	date	Paid date
			B7125		Language
			B7126	date	Date of despatch of the decision
			B7127	date	Date of legal effect
		B7230			Other dates



INID code	Rep Tag	Bibliographic tag			Description
			B7231	date	Date of request for re-establishment of rights
			B7238	date	Date of decision for re-establishment of rights
			B7239	date	Date of revocation
		B7240			Dates from which industrial property rights may have effect
			B7245	date	Date of suspension/interruption
			B7246	date	Date of resumption
		B7470			Lapse data
			B7471	date	Date of dispatch of the lapse situation
			B7475	date	Date of legal effect of the lapse
		B7720			Inventors
	R	B7721			Inventor data
			snm		Name
			adr		Address
				str	Street
				city	Town
				ctry	Country code
			B7725	text	Text for when the inventor has agreed to waive his entitlement to designation
		B7730			Proprietor of UPP
	R	B7731			Proprietor data of UPP
			snm		Name
			iid		EPO number of the proprietor of UPP
			irf		Reference from the proprietor of UPP
			adr		Address
				str	Street
				city	Town
				ctry	Country code
			B7738	date	Effective date for transfer of rights
		B7740			Attorney/Representative of the proprietor(s) of UPP



INID code	Rep Tag	Bibliographic tag			Description	
			B7741		Attorney/Representative data	
				snm	Name	
				sfx	Suffix 'et al'	
				iid	EPO number of the attorney/agent	
				adr	Address	
					str	Street
					city	Town
					ctry	Country code
			B7790		Licence(s) on UPP	
	R		B7791		Licence data	
				dnum	text	Serial number of the licence
				date		Date of legal effect of the licence
				kind		Kind of licence
				snm		Name
				iid		EPO number of the licensee
				adr		Address
				str		Street
				city		Town
				ctry		Country code
				B7796		Member states concerned
	R				ctry	Country code
			B7900			Limitation procedures
	R			B7901		Limitation procedure data
					B7910	Limitation filing
					B7911	Limitation filing (date)
					B7912	Limitation filing kind
					B7913	Limitation filing decision
					B7914	Limitation payment (date)
					B7920	Limitation request rejected
					B7921	Kind of rejection



INID code	Rep Tag	Bibliographic tag				Description	
						B7922	Decision despatched(date)
						B7923	Legal effect (date)
					B7930		Limitation request allowed
						B7931	Despatched on (date)
						B7932	Translation received (date)
						B7933	Payment received (date)

Note: "R" in third column (Rep. tag) means that the tag may be repeated.



Item description and general considerations

1. Dates are stored in 8 bytes. The format is always yyyyymmdd. The date is preceded by the <date> tag.
2. The issue number of the Bulletin is stored in 6 bytes in. The format is yyyyynn. The issue number is preceded by the <bnum> tag
3. The values used for country, state or language code fields are according to the Standard ISO/R 639-1967(F). The country code is preceded by the <ctry> tag and is always in UPPER case.
4. All elements are closed by an end tag i.e. the 'start tag' with a slash character </...>.

Example:

```
<B110> ... data ... </B110>  
<B450><date>20050420</date><bnum>200516</bnum> </B450>
```

5. A few characters, according to the XML standard, are coded as character entity references:

& : &	- ampersand (the most common)
> : >	- greater than
< : <	- less than

Example:

J.A. Kemp & Co. = J.A. Kemp & Co.

6. Euro-PCT applications

WIPO sends application data to the EPO. Later on these applications will be split into:

- Applications **not entering** the European phase because the application is deemed to be withdrawn. These are printed in the Bulletin in "Section I.2".
- Applications **entering** the European phase (Euro-PCT). But there are two categories:
 - A. Applications for which EPO **does print** the A-document.
Currently EPO prints, after translation, applications which were filed in Russian, Japanese, Spanish and Chinese. These are printed in the Bulletin in Section I.1(2) together with the EP documents.
 - B. Applications for which EPO **does not print** the A-document because the application was filed in one of the three official languages of the EPO (English, French or German).

These are printed in the Bulletin in "Section I.1(1)".



However, if the file goes forward for substantive examination, etc, the EPO may print the Patent Specification (B-document).

The usage and contents of ep-bulletin (country, doc-number), B110, B190, B003EP and B006EP tags for the cases above is shown in the table below.

Situation	country	Doc-number	B110	B190	B003EP	B006EP
Normal EPO publications These applications are printed in EPO Bulletin "Section I.1(2)".	EP	EPO publ number	EPO publ number	EP	Not used	Not used
WIPO publications with no EPO publication nr. and which are NOT entering the European phase . These applications are printed in the EPO Bulletin "Section I.2". Note: Tag <B237> contains the date when the application is deemed to be withdrawn.	WO	WIPO publ nr	WIPO publ nr	WO	Not used	9121
WIPO publications entering the European phase , (EURO PCT) and the EPO prints the A-document. These applications are printed in the EPO Bulletin "Section I.1(2)"	EP	EPO publ number	EPO publ number	EP	Not used	Not used
WIPO publications entering the European phase , (EURO PCT) and the EPO does not print the A-document. These applications are printed in the in EPO Bulletin "Section I.1(1)".	EP	EPO publ number	EPO publ number	EP	* (asterisk)	Not used



Kinds of EP patent documents

1. A1/A2 new publication

ep-bulletin ... kind=**A1** or **A2**
status=**n**

Example:

```
<ep-bulletin id="EP1024184A1" file="00100234.4" lang="de" country="EP" doc-  
number="1024184" kind="A1" date-publ="20050105" status="n" dtd-version="ep-bulletin-v1-1">
```

```
<B110>1024184</B110>
```

```
<B130>A2</B130>
```

```
<B430>  
  <date>20050105</date>  
  <bnum>200501</bnum>  
</B430>
```

2. A1/A2 publication deleted

ep-bulletin kind=**A1** or **A2**
 status=**r**

B110 marked as deleted status=**d** ie. Publication is deleted

B130 marked as changed status=**r**

B430 marked as deleted status=**d**

Example:

```
<ep-bulletin id="EP1510131A1" file="03077683.5" lang="en" country="EP" doc-  
number="1510131" kind="A1" date-publ="20050105" status="r" dtd-version="ep-bulletin-v1-1">
```

```
<B002EP>  
<ep-chg-info>  
  <ep-chg idref="ep-chg0001" btag="B110" date="20041119" status="d"/>  
  <ep-chg idref="ep-chg0002" btag="B130" date="20041119" status="r"/>  
  <ep-chg idref="ep-chg0003" btag="B430" date="20041119" status="d"/>  
</ep-chg-info>  
</B002EP>
```

...

```
<B110 id="ep-chg0001">1510131</B110> . .
```

```
<B130 id="ep-chg0002">A1</B130> . .
```

```
<B430 id="ep-chg0003"></B430>
```

or

```
<B430 id="ep-chg0003"/>
```



3. A3 publication deleted

- ep-bulletin kind=**A2**
- ep-bulletin status=**r**
- B880 marked as deleted status=**d**

Example:

```
<ep-bulletin id="EP1407749A2" file="03292493.8" lang="en" country="EP" doc-  
number="1407749" kind="A2" date-publ="20050105" status="r" dtd-version="ep-bulletin-v1-  
3">
```

```
<B002EP>  
  <ep-chg-info>  
    <ep-chg idref="ep-chg0001" btag="B880" date="20041119" status="d"/>  
  </ep-chg-info>  
</B002EP>
```

...

```
<B880 id="ep-chg0001"></B880>
```

or

```
<B880 id="ep-chg0001"/>
```

....

4. B1 new publication

- ep-bulletin kind=**B1**
- ep-bulletin status=**n**

Example:

```
<ep-bulletin id="EP1104651B1" file="99926835.2" lang="en" country="EP" doc-  
number="1104651" kind="B1" date-publ="20050105" status="n" dtd-version="ep-bulletin-v1-  
3">
```

...

```
<B130>B1  
</B130>
```

...

```
<B450>  
  <date>20050102</date>  
  <bnum>200501</bnum>  
</B450>
```



5. B1 publication deleted

- ep-bulletin kind=**B1**
- ep-bulletin status=**r**
- B130 marked as changed status=**r**
- B450 marked as deleted status=**d**

```
<ep-bulletin id="EP0950772B1" file="99302798.6" lang="en" country="EP" doc-  
number="0950772" kind="B1" date-publ="20050105" status="r" dtd-version="ep-bulletin-v1-  
1">... 
```

```
<B002EP>  
  <ep-chg-info>  
    <ep-chg idref="ep-chg0001" btag="B130" date="20041119" status="r"/>  
    <ep-chg idref="ep-chg0002" btag="B450" date="20041119" status="d"/>  
  </ep-chg-info>  
</B002EP>
```

```
.....  
<B130 id="ep-chg0001">A2</B130>  
.....  
<B450 id="ep-chg0002"></B450>
```

or

```
<B450 id="ep-chg0002"/>  
.....
```

6. B2 new publication

- ep-bulletin kind=**B2**
- ep-bulletin status=**n**

```
<ep-bulletin id="EP0709426B2" file="95810650.2" lang="de" country="EP" doc-  
number="0709426" kind="B2" date-publ="20050105" status="n" dtd-version="ep-bulletin-v1-  
1">
```

```
...  
<B130>B2</B130>
```

```
...  
<B450>  
  <date>20000705  
  <bnum>200027  
</B450>
```

```
...  
<B477>  
  <date>20050105  
  <bnum>200501  
</B477>
```



7. B2 publication deleted

- ep-bulletin kind=**B2**
- ep-bulletin status=**r**
- B130 marked as changed status=**r**
- B477 marked as deleted status=**d**

```
<ep-bulletin id="EP1015504B2" file="98954254.3" lang="en" country="EP" doc-  
number="1015504" kind="B2" date-publ="20050105" status="r" dtd-version="ep-bulletin-v1-  
1">
```

```
...
```

```
<B002EP>
```

```
<ep-chg-info>
```

```
<ep-chg idref="ep-chg0001" btag="B130" date="20041119" status="r"/>
```

```
<ep-chg idref="ep-chg0002" btag="B477" date="20041119" status="d"/>
```

```
</ep-chg-info>
```

```
</B002EP>
```

```
.....
```

```
<B130 id="ep-chg0001">B1</B130>
```

```
.....
```

```
<B477 id="ep-chg0002"></B477>
```

or

```
<B477 id="ep-chg0002"/>
```

```
.....
```




8. B3 new publication

EPC 2000 Phase 3b)

- ep-bulletin kind=**B3**
- ep-bulletin status=**n**

```
<ep-bulletin id="EP0709426B31" file="95810650.2" lang="de" country="EP" doc-  
number="0709426" kind="B3" date-publ="20050105" status="n" sequence="1" dtd-  
version="ep-bulletin-v1-3">
```

```
...
```

```
<B130>B3</B130>
```

```
...
```

```
<B450>
```

```
  <date>20000705
```

```
  <bnum>200027
```

```
</B450>
```

```
...
```

```
<B453EP>
```

```
  <B4530EP sequence="1" limitation-sequence="1">
```

```
    <kind>B3</kind>
```

```
    <date>20050105</date>
```

```
    <bnum>200501</bnum>
```

```
  </B4530EP>
```

```
</B453EP>
```

Notes:

- Kind B3 is the first EPO patent publication which has the possibility of one or more occurrences of the original kind code (leaving aside corrected patents)
- For this reason we have added to the kind code (B3) in the id attribute a sequence number - "B31", "B32", etc - otherwise the id would not be unique.
- We have also added the "**sequence**" attribute to the root element.



9. Request for a “**Unitary patent protection**” on a granted EP patent

- ep-bulletin kind=B1
- ep-bulletin status=r
- B7001 tag marked as changed with status=n

```
<ep-bulletin id="EP0950772B1" file="99302798.6" lang="en" country="EP" doc-  
number="0950772" kind="B1" date-publ="20050105" status="r" dtd-version="ep-bulletin-v1-  
6">...
```

```
<B002EP>  
<ep-chg-info>  
<ep-chg idref="ep-chg0001" btag="B7001" date="20170108" status="n"/>  
</ep-chg-info>  
</B002EP>  
..  
<B7000>  
  <B7001 id="ep-chg0001"><date>20170106</date></B7001>  
</B7000>  
</ep-bulletin>
```

10. Positive decision of the request for a “**Unitary patent protection**” on a granted EP patent

- ep-bulletin kind=B1, B3
- ep-bulletin status=r
- B7002 tag marked as changed with status=n

```
<ep-bulletin id="EP0950772B1" file="99302798.6" lang="en" country="EP" doc-  
number="0950772" kind="B1" date-publ="20050105" status="r" dtd-version="ep-bulletin-v1-  
6">...
```

```
<B002EP>  
<ep-chg-info>  
<ep-chg idref="ep-chg0001" btag="B7002" date="20170115" status="n"/>  
</ep-chg-info>  
</B002EP>  
..  
<B7000>  
  <B7001><date>20170106</date></B7001>  
  <B7002 id="ep-chg0001" decision="P">  
    <date>20170114</date>  
  </B7002>  
  ...  
</B7000>  
</ep-bulletin>
```

Additionally, an XML document with **kind="C0"** & **status="u"** (for unpublished) will also be available with the same bibliographic data but no tags marked as changed; for example:

```
<ep-bulletin id="EP0950772C0" file="99302798.6" lang="en" country="EP" doc-  
number="0950772" kind="C0" date-publ="20050105" status="u" dtd-version="ep-bulletin-v1-  
6">...  
</ep-bulletin>
```



11. Deletion of the registration of the unitary patent

It may happen that the registration of unitary patent request is deleted e.g. when the decision is changed from **positive** to **negative**. In this case we will have the following XML mark-up:

- ep-bulletin kind=B1, B3
- ep-bulletin status=r
- B7002 tag marked as changed with status=r
- B7021, B7022 & B7023 tags marked as changed with status=d

```
<ep-bulletin id="EP10158909B1" file="10158909.1" lang="de" country="EP" doc-
number="2246661" kind="B1" date-publ="20150514" status="r" dtd-version="ep-bulletin-v1-
6"> ...
<B002EP>
<ep-chg-info>
<ep-chg idref="ep-chg0001" btag="B7002" date="20171127" status="r"/>
<ep-chg idref="ep-chg0002" btag="B7021" date="20171127" status="d"/>
<ep-chg idref="ep-chg0003" btag="B7022" date="20171127" status="d"/>
<ep-chg idref="ep-chg0004" btag="B7023" date="20171127" status="d"/>
</ep-chg-info>
</B002EP>
...
<B7000>
  <B7001><date>20170106</date></B7001>
  <B7002 id="ep-chg0001" decision="N">
    <date>20170114</date>
  </B7002>
  <B7020>
    <B7021 id="ep-chg0002">
      <date></date>
    </B7021>
    <B7022 id="ep-chg0003">
      <date></date>
    </B7022>
    <B7023 id="ep-chg0004">
      <ctry></ctry>
    </B7023>
  </B7020>
</B7000>
</ep-bulletin>
```

Additionally, an XML document with **kind="C0"** & **status="d"** (for deleted) will also be available with the same bibliographic data but no tags marked as changed; for example:

```
<ep-bulletin id=" EP10158909C0" file="10158909.1" lang="en" country="EP" doc-
number="2246661" kind="C0" date-publ="20050105" status="d" dtd-version="ep-bulletin-v1-
6">. . .
</ep-bulletin>
```



12. Negative decision of the request for a “**Unitary patent protection**” is changed in **positive**

It may happen that a decision is changed from **negative** to **positive** due to a UPC decision on an action filed by the patent proprietor. In this case we will have the following XML mark-up:

- ep-bulletin kind=B1, B3
- ep-bulletin status=r
- B7002 tag marked as changed with status=r

```
<ep-bulletin id="EP0950772B1" file="99302798.6" lang="en" country="EP" doc-  
number="0950772" kind="B1" date-publ="20050105" status="r" dtd-version="ep-bulletin-v1-  
6">. . .
```

```
<B002EP>  
<ep-chg-info>  
  <ep-chg idref="ep-chg0001" btag="B7002" date="20170115" status="r"/>  
</ep-chg-info>  
</B002EP>
```

```
..  
<B7000>  
  <B7001><date>20170106</date></B7001>  
  <B7002 id="ep-chg0001" decision="P">  
    <date>20170114</date>  
  </B7002>
```

```
...  
</B7000>  
</ep-bulletin>
```

Additionally, an XML document with **kind="C0"** & **status="u"** (for unpublished) will also be available with the same bibliographic data but no tags marked as changed; for example:

```
<ep-bulletin id="EP0950772C0" file="99302798.6" lang="en" country="EP" doc-  
number="0950772" kind="C0" date-publ="20050105" status="u" dtd-version="ep-bulletin-v1-  
6">. . .  
</ep-bulletin>
```



13. Corrections

1. Printed EP patent applications and patent specifications which have failed to pass the in-house quality assurance inspection, or are reported to be in error by external agencies, are subjected to a corrections procedure. It is estimated that, on average, twenty documents per week are subjected to this procedure, about 0.5% of the total published documents. These documents have the following kind codes:

A8 Correction - reprint of the title page of an A-document
A9 Correction - complete reprint of an A-document

B8 Correction - reprint of the title page of a B-document
B9 Correction - complete reprint of a B-document
2. Therefore, based on a specification which is in accordance with WIPO ST.50: *Guidelines for Issuing corrections, alterations and supplements relating to patent information*, the EPO have implemented an automated corrections procedure.
3. The objectives of the procedure are: to have a centralised registration of documents requiring correction, to include the corrected documents in the weekly delivery of documents to the publishers and the subsequent dissemination of the corrected documents to external agencies.
4. The central registration is by means of a special coding (CORR) carried out by EPO staff in the European Patent Administration (EPASYS) database. This coding consists of 'correction items' which detail the corrections being made and possible re-publication to be done.
5. The EBD file contains additional information concerning the corrections being made. These are specified in more detail below.



XML elements: detailed description

<ep-bulletin>: ep-bulletin

The following attributes are used in this order: -

id=	The country code, application number and the kind code
file=	Application number with check digit
lang=	Language of publication code "en, "fr or "de"
country=	Publishing country or organisation – EP or WO
doc-num=	Number of the document, (EPO or WIPO publication number). Same value as <B110>
kind=	Kind of document. Same value as <B130>. unless <B130> has a coding.
correction-code=	Correction code according to WIPO ST.50, eg. W1
date-publ=	Document date of publication. Format is yyyyymmdd
status=	Status of the application; the current values used are: n : New publication e.g. A1, A2, B1, B2 or B3 published for the first time. r : Replacement of data for an application already published. c : Correction u : Unpublished d : Deletion - only used when kind="C0"
sequence=	Sequence number - only used (so far) for kind B3 (EPC2000)
dtd-version=	The version number of the Document Type Definition

Examples:

```
<ep-bulletin id="EP1024184A1" file="00100234.4" lang="de" country="EP" doc-number="1024184"
kind="A1" date-publ="20050104" status="r" dtd-version="ep-bulletin-v1-1">
```

```
<ep-bulletin id="EP00100102A2" file="00100102.3" lang="en" country="EP" doc-number="1018688"
kind="A2" date-publ="20060104" status="r" dtd-version="ep-bulletin-v1-1">
```

```
<ep-bulletin id="EP00115135B9W1" file="00115135.6" lang="en" country="EP" doc-
number="1049079" kind="B9" correction-code="W1" date-publ="20060104" status="c" dtd-
version="ep-bulletin-v1-1">
```

```
<ep-bulletin id="EP0950772C0" file="99302798.6" lang="en" country="EP" doc-number="0950772"
kind="C0" date-publ="20050105" status="u" dtd-version="ep-bulletin-v1-6">. . .
</ep-bulletin>
```

```
<ep-bulletin id="EP0950772C0" file="99302798.6" lang="en" country="EP" doc-number="0950772"
kind="C0" date-publ="20050105" status="d" dtd-version="ep-bulletin-v1-6">. . .
</ep-bulletin>
```

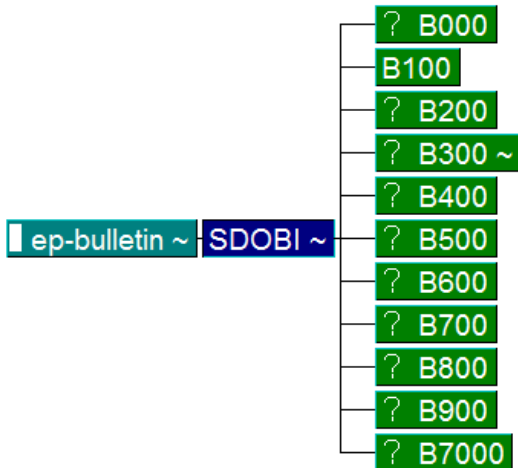
Note: each file starts with:

```

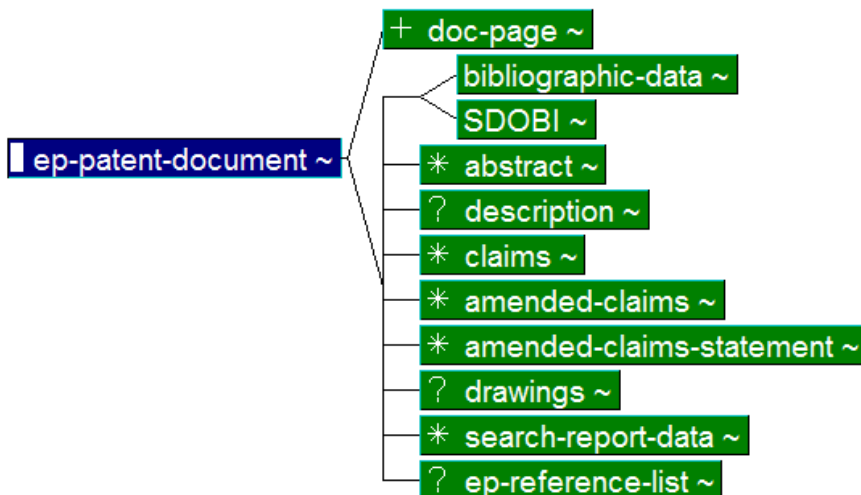
<?xml version="1.0" encoding="UTF-8" ?>
<!DOCTYPE ep-bulletin PUBLIC "-//EPO//EP BULLETIN 1.1//EN" "ep-bulletin-v1-1.dtd">
  
```

This prologue and declaration are required for XML files. Each file (document instance) starts with these two lines and `<ep-bulletin . . . >` and ends with `</ep-bulletin>`

The basic structure of the DTD is as follows (? = optional):



Note: when the file is merged with the full text of the patent document then we use a different DTD: `ep-patent-document.dtd`; however, all the data elements found in `<SDOBI>` remain exactly the same. The basic structure of this DTD is as follows:



In the model above EITHER `<bibliographic-data>` OR `<SDOBI>` may be used; for the EPO publication system and files we will stick to `<SDOBI>` for the foreseeable future since many other systems and clients use this format. It is intended that there should be a one-to-one relationship between the elements in both models.



SDOBI - Sub-DOCUMENT for Bibliographic data

This tag is kept for backward compatibility with old SGML files; for this reason it is also kept in the main publication DTD: ep-patent-document – see above.

Attribute:

lang= Publication language. Same value as <B260>.

Example:

```
<SDOBI lang="en">
```

B000 - Office specific system/file information

eptags - EPO specific tags

Again, kept for backward compatibility and to avoid unnecessary changes. Under ST.36 rules this should really be: <ep-tags> or the like. Tags within this group may be changed at the discretion of the EPO.

B001EP - Selective mask for states involved

Mask for a selection on a particular state involved either by designation, extension or validation. It contains all the states involved in the previously published situation as well as the current situation.

Every state has a fixed position within the mask reflecting the country code if the state has been mentioned, otherwise, if not present, it contains two dots.

Position	Country code	Country name
01-02	AT	Austria
03-04	BE	Belgium
05-06	CH	Switzerland
07-08	DE	Germany
09-10	DK	Denmark
11-12	ES	Spain
13-14	FR	France
15-16	GB	United Kingdom
17-18	GR	Greece
19-20	IT	Italy
21-22	LI	Liechtenstein
23-24	LU	Luxembourg
25-26	NL	Netherlands
27-28	SE	Sweden
29-30	MC	Monaco
31-32	PT	Portugal
33-34	IE	Ireland
35-36	SI	Slovenia
37-38	LT	Lithuania
39-40	LV	Latvia
41-42	FI	Finland



43-44	RO	Romania
45-46	MK	Macedonia
47-48	CY	Cyprus
49-50	AL	Albania
51-52	TR	Türkiye
53-54	BG	Bulgaria
55-56	CZ	Czech Republic
57-58	EE	Estonia
59-60	HU	Hungary
61-62	PL	Poland
63-64	SK	Slovakia
65-66	BA	Bosnia and Herzegovina*
67-68	HR	Croatia
69-70	IS	Iceland
71-72	YU	Serbia and Montenegro*
73-74	MT	Malta
75-76	NO	Norway
77-78	RS	Republic of Serbia
79-80	ME	Montenegro
81-82	SM	San Marino
83-84	MA	Morocco **
85-86	KH	Cambodia **
87-88	TN	Tunesia **
89-90	MD	Moldova **
91-92	GE	Georgia **
93-94	LA	Lao People's Democratic Republic **

* = "Extension states", recognising EP patent applications & patents on their territory.

** = "Validation states", recognising EP patent applications & patents on their territory.

Note: The states codes stored in this tag are not necessarily the same state codes as in tag <B840> 'Designated contracting states'; e.g. when one or several states have been deleted, the tag <B840> contains the new situation of the Designated contracting states, however the tag <B001EP> contains the states codes from the previous publication week as well.

Example:

```
<B001EP>ATBECHDEDKESFRGBGRITLILUNLSEMCPPTIESILTLVFIROMKCYALTRBGCZEEHUPLSKBAHRISYU.....</B001EP>
```

```
<B840 id="ep-chg0001">
  <ctry>CH</ctry>
  <ctry>DE</ctry>
  <ctry>FR</ctry>
  <ctry>IT</ctry>
  <ctry>LI</ctry>
</B840>
```

Only the state codes CH, DE, FR, IT & LI have been kept, the rest have been removed.



B002EP - Changed tags

This is a "container" for indicating all changes within a file; it contains the tags:

<ep-chg-info> and <ep-chg>

...1 <ep-chg-info>

Container for:

...2 <ep-chg>

This tag gives the details of where in the file (which Bnnn tag) changes have been made; it has the following attributes giving details of the change:

Attributes:

idref = reference to the id of the Bnnn tag changed
btag = the actual tag where data has changed eg. B240
date = date of the change
status = type of change, the values for the EPO are:
n = new data, inserted data
r = replacement data
d = deleted data

Examples:

```
<B002EP>
  <ep-chg-info>
    <ep-chg idref="ep-chg0001" btag="B542" date="20041118" status="r"/>
    <ep-chg idref="ep-chg0002" btag="B542" date="20041118" status="r"/>
    <ep-chg idref="ep-chg0003" btag="B542" date="20041118" status="r"/>
  </ep-chg-info>
</B002EP>
```

Example: the title has been replaced in the three languages:

```
<B540>
  <B541>de</B541>
  <B542 id="ep-chg0001">Verfahren zum Aufschäumen eines metallischen Werkstoffes</B542>
  <B541>en</B541>
  <B542 id="ep-chg0002">Process for foaming metallic articles</B542>
  <B541>fr</B541>
  <B542 id="ep-chg0003">Procédé pour le moussage d'articles métalliques</B542>
</B540>
```

<ep-chg> is recursive to allow for history of changes - changes to changes - possibly to be used in the EP register; recursion will **not** be used in the EBD.



B003EP - Indicator 'no A-document published by EPO'

This field contains an '*' (asterisk) for the EURO-PCT applications for which **no** A-document has been published by the EPO because it was filed with WIPO in one of the official languages of the EPO.

B004EP - Re-establishment of rights indicator

It contains the code of the decision after a request for re-establishment of rights.

The values used by the EPO are:

- 2 : Request not accepted
- 3 : Request accepted

Note: Used together with <B238>.

B005EP - Printer/Producer identification

B006EP - Indicator for international applications

This tag identifies the type of International applications. The values used by the EPO are:

- 9120 : The EPO has been informed by WIPO that EP was designated in this application
- 9121 : Not Entering the European phase

<B006EP>9120</B006EP>



B007EP- Reserved for EPO internal use

This tag is reserved for EPO internal use.

B008EP - Indicator for "small changes"

This tag identifies "small changes" which are not printed in the EPO Bulletin such as removing the country code in the postcode. Currently and when present it contains the value 8.

B009EP - Text from B725EP tag in the three EPO official languages

This tag will contain the text stored in tag <B725EP> in EPO official languages ie. German, English and French to print in the EPO Bulletin. See Tag <B720>.

The text language order is German, English and French.

Example:

```
<B009EP>  
  <text>Der weitere Erfinder hat auf seine Nennung verzichtet</text>  
  <text>The other inventor has agreed to waive his entitlement to designation</text>  
  <text>L'autre inventeur a renoncé à sa désignation</text>  
</B009EP>
```



B010EP - Other rights and legal means of execution

```
<B010EP>
  <B011EP>
    <date>Date of notification</date>
    <dnum><text>sequence number</text></dnum>
    (States concerned)
    <ctry>Country code</ctry>
    <ctry>Country code</ctry>
    ...
  </B011EP>
</B010EP>
```

Example:

```
<B010EP>
  <B011EP>
    <date>20041103</date>
    <dnum>
      <text>01</text>
    </dnum>
    <ctry>DE</ctry>
    <ctry>ES</ctry>
    <ctry>FR</ctry>
    <ctry>GB</ctry>
    <ctry>IT</ctry>
  </B011EP>
</B010EP>
```



B012EP - New revocation procedure (Art 105a)

EPC 2000 Phase 3 a) change

EPC Article 105a - Request for limitation or revocation

(1) At the request of the proprietor, the European patent may be revoked or be limited by an amendment of the claims. The request shall be filed with the European Patent Office in accordance with the Implementing Regulations. It shall not be deemed to have been filed until the limitation or revocation fee has been paid.

(2) The request may not be filed while opposition proceedings in respect of the European patent are pending.

1. This form of revocation is always from the proprietor. (**Note:** Revocation within the existing opposition procedure may also be on request from the proprietor). This new procedure caters for revocation from the proprietor outside of the opposition procedure.

Both the request for Revocation 105a and the revocation itself are published in the Bulletin.

2. Note that the final result can only be a positive decision to actually revoke the patent.

<!ELEMENT B012EP (B0120EP+) >

<!ELEMENT B0120EP (B0121EP?,B0122EP?,B0123EP?,B0124EP?,B0125EP?
B0126EP?,B0127EP?)>

```
<!ELEMENT B0121EP (date) >
<!ELEMENT B0122EP (#PCDATA) >
<!ELEMENT B0123EP (#PCDATA) >
<!ATTLIST B0123EP
    id ID #IMPLIED >
<!ELEMENT B0124EP (date) >
<!ELEMENT B0125EP (#PCDATA) >
<!ELEMENT B0126EP (date) >
<!ELEMENT B0127EP (date) >
<!ATTLIST B0127EP
    id ID #IMPLIED >
```



XML	Description / Use	EPASYS
<B012EP>	Memo used for revocation on request from the proprietor	REVR
<B0121EP><date>	Revocation request filed on	REVR01
<B0122EP>	Kind of revocation: 01 = filed during opposition period 02 = filed after opposition period	REVR02
<B0123EP>	Decision on revocation request: 01 = admissible 02 = inadmissible 03 = deemed not filed	REVR03
<B0124EP><date>	Paid on	REVR04
<B0125EP>	Language of revocation	REVR05
<B0126EP><date>	Date of despatch of the decision	REVR06
<B0127EP><date>	Date of legal effect	REVR07

Example:

```
<B012EP>
  <B0120EP>
    <B0121EP><date>yyyymmdd</date></B0121EP>
    <B0122EP>xx</B0122EP>
    <B0123EP id="ep-chg0001">xx</B0123EP>
    <B0124EP><date>yyyymmdd</date></B0124EP>
    <B0125EP>xx</B0125EP>
    <B0126EP><date>yyyymmdd</date></B0126EP>
    < B0127EP id="ep-chg0002"><date>yyyymmdd</date></B0127EP>
  </B0120EP>
</B012EP>
```

Note. For a revocation following an opposition procedure, the date of effect will be stored in the <B239> tag.

B015EP - Number of copies to be printed



B050EP - Free text

```
<B050EP>  
  <B051EP> Language  
    The values used are:  
    de : German text  
    en : English text  
    fr : French text  
  <B052EP> Free Text  
</B050EP>
```

Example:

```
<B050EP>  
  <B051EP>de</B051EP>  
  <B052EP>Teilanmeldung 92117411.6 eingereicht am 06/11/87.</B052EP>  
  <B051EP>en</B051EP>  
  <B052EP>Divisional application 92117411.6 filed on 06/11/87.</B052EP>  
  <B051EP>fr</B051EP>  
  <B052EP>Demande divisionnaire 92117411.6 déposée le 06/11/87.</B052EP>  
</B050EP>
```

B053EP - Additional remarks

Examples:

```
<B053EP>Diese Anmeldung ist am 03 - 07 - 2004 als Teilanmeldung zu der unter INID-Kode 62  
erwähnten Anmeldung eingereicht worden.</B053EP>
```

```
<B053EP>This application was filed on 28 - 02 - 2002 as a divisional application to the application  
mentioned under INID code 62.</B053EP>
```

```
<B053EP>A request for correction of the drawings has been filed pursuant to Rule 139 EPC. A  
decision on the request will be taken during the proceedings before the Examining Division  
(Guidelines for Examination in the EPO, A-V, 3.).</B053EP>
```

B070EP - B publication technical field (subsequently filed technical information)

Example:

```
<B070EP>The file contains technical information submitted after the application was filed and not  
included in this specification  
</B070EP>
```

B075EP - Petition for review



EPC2000: new procedure enabling any party to appeal proceedings adversely affected by the decision of the Board of Appeal to file a petition for review of the decision by the Enlarged Board of Appeal (EBA).

This information is only published when the decision is known.

<B0750EP review-number="Xnnnn/nn">	Petition for review number (As we can have multiple petitions for review). Comprises a unique number for a given year, e.g. R0001/08
<B0751EP>	Appeal number
<B0752EP>	Petitioner code
<B0753EP>	Date of notice of petition (May be included at a later date)
<B0755EP>	Date of decision
<B0756EP>	Kind of decision : R01 to R12

Board with 3 Members

R01: Petition for review obviously inadmissible (not deemed to be filed) or simultaneously obviously inadmissible and obviously unsubstantiated.

R02: Petition for review obviously unsubstantiated only.

[R03: free]

Board with 5 Members

R04: Petition for review inadmissible.

R05: Rejection of the petition for review.

R06: Petition for review allowed and re-opening of the Appeal Procedure with total refund of the fee for the petition for review.

R07: Petition for review allowed and re-opening of the Appeal Procedure with partial refund of the fee for the petition for review.

[R08: free]

Board with 3 or 5 Members

R09: Withdrawal of the petition for review.

R10: Petition for review deemed to be withdrawn.

R11: other kind of disposal.

[R12: free]



Example of “Petition for review”:

```
<B075EP>  
  <B0750EP id="ep-chg0001" review-number="R0001/08">  
    <B0751EP>T0621/03-3309</B0751EP>  
    <B0752EP>APPR</B0752EP>  
    <B0753EP><date>20080814</date></B0753EP>  
    <B0755EP><date>20091014</date></B0755EP>  
    <B0756EP>R06</B0756EP>  
  </B0750EP>  
  <B0750EP id="ep-chg0002" review-number="R0002/08">  
    <B0751EP>T0638/01-3222</B0751EP>  
    <B0752EP>OP01</B0752EP>  
    <B0753EP><date>20080912</date></B0753EP>  
    <B0755EP><date>20090606</date></B0755EP>  
    <B0756EP>R01</B0756EP>  
  </B0750EP>  
</B075EP>
```



B078EP - Date of 'No opposition filed'

```
<B078EP>  
  <date>yyyymmdd</date>  
</B078EP>
```

B080EP - Public notification

```
<B080EP>  
  <B081EP>Inspection place  
    Code  Meaning  
    ▪ 1: The Hague  
    ▪ 2: Munich  
    ▪ 3: Berlin  
  </B081EP>  
  <B082EP>Addressee  
    <snm>Name</snm>  
    <iid>EPO number</iid>  
    <adr>Address  
      <str>Street</str>  
      <city>City, town</city>  
      <ctry>Country code</ctry>  
    </adr>  
  </B082EP>  
  <B083EP>Free text</B083EP>  
</B080EP>
```

Example:

```
<B002EP>  
  <ep-chg-info>  
    <ep-chg idref="ep-chg0001" btag="B080EP" date="20041118"  
    status="n"/>  
  </ep-chg-info>  
</B002EP>  
  
<B080EP id="ep-chg0001">  
  <B081EP>1</B081EP>  
  <B082EP>  
    <snm>Amlang Pierre</snm>  
    <iid>04941760</iid>  
    <adr>  
      <str>Teutoburger Strasse 186</str>  
      <city>46119 Oberhausen</city>  
      <ctry>DE</ctry>  
    </adr>  
  </B082EP>  
  <B083EP>MITTEILUNG NACH REGEL 85A(1) EPÜ (EPA FORM 1135 VON  
  20/10/04)</B083EP>  
</B080EP>
```



B090EP - Limitation procedure

EPC 2000 Phase 2 and 3 a)

Under EPC 2000, the proprietor of the patent can request a limitation of the scope of the patent (claims). They can do this more than once. The request can be made during the opposition period as well as after it.

EPC Article 105a - Request for limitation or revocation

(1) At the request of the proprietor, the European patent may be revoked or be limited by an amendment of the claims. The request shall be filed with the European Patent Office in accordance with the Implementing Regulations. It shall not be deemed to have been filed until the limitation or revocation fee has been paid.

(2) The request may not be filed while opposition proceedings in respect of the European patent are pending.

Note: In the EPO the description and drawings may also change as well as the claims.

XML/DTD:

Firstly, the main grouping tag which groups the, possible, different sequence of events:

```
<!ELEMENT B090EP (B0900EP+) >
```

Secondly, the sub-grouping tag which groups the, possible, different sequence of tags within that event (filing, rejection and allowed):

```
<!ELEMENT B0900EP (B091EP+, B092EP?, B093EP?)>
```

```
<!ATTLIST B0900EP  
  limitation-sequence CDATA #REQUIRED  
  id ID #IMPLIED  
  lang CDATA #IMPLIED  
  begin-date CDATA #IMPLIED  
  end-date CDATA #IMPLIED >
```

```
<!ELEMENT B091EP (B0911EP, B0912EP?, B0913EP?, B0914EP?) >
```

```
<!ATTLIST B091EP  
  id ID #IMPLIED >
```



B091EP - Limitation procedure - Initial filing

EPC 2000 Phase 2

XML structure:

XML	Description	EPASYS
<B0900EP limitation-sequence> - see above	Limitation sequence number	LIMP07
<B0911EP><date>	Date of filing	LIMP01
<B0912EP>	Limitation kind: 01 = filed during opposition period (9 months) 02 = filed after opposition period (9 months)	LIMP02
<B0913EP>	Decision code: 01 = admissible 02 = inadmissible 03 = deemed not filed 04 = deemed not filed, opposition pending/filed 05 = withdrawn	LIMP03
<B0914EP><date>	Date of payment	LIMP04

Example of “Limitation procedure with initial filing”:

```
<B090EP>
  <B0900EP limitation-sequence="1">
    <B091EP>
      <B0911EP><date>20080914</date></B0911EP>
      <B0912EP>01</B0912EP>
      <B0913EP>01</B0913EP>
    </B091EP>
  </B0900EP>
  <B0900EP limitation-sequence="2">
    <B091EP>
      <B0911EP><date>20081009</date></B0911EP>
      <B0912EP>01</B0912EP>
      <B0913EP>01</B0913EP>
    </B091EP>
  </B0900EP>
</B090EP>
```

Notes:

- The limitation will be present in the EBD file **after** the decision is known but **not** as soon as a request for limitation has been filed.
- Any change will be indicated at the <B091EP> level.



B092EP - Limitation procedure - Request rejected

Implementation EPC 2000 Phase 3 a)

XML	Description	EPASYS
<B092EP>	Rejection of limitation request	
<B0921EP>	Kind of rejection: 01 = substantive refusal 02 = inadmissible for formal reasons (R.94) 03 = no (late) reply to subset report 04 = RALL (request allowed) requirements not fulfilled	REJL01
<B0922EP><date>	Decision despatched on	REJL02
<B0923EP><date>	Legal effect on	REJL03

Example:

```
<B092EP>  
  <B0921EP>02</B0921EP>  
  <B0922EP><date>20080612</date></B0922EP>  
  <B0923EP><date>20090808</date></B0923EP>  
</B092EP>
```



B093EP - Limitation procedure - Request allowed

Implementation EPC 2000 Phase 3 a)

XML	Description	EPASYS
<B093EP>	Request allowed	
<B0931EP><date>	Despatched on	RALL01
<B0932EP><date>	Translation received on	RALL02
<B0933EP><date>	Full payment received on	RALL03

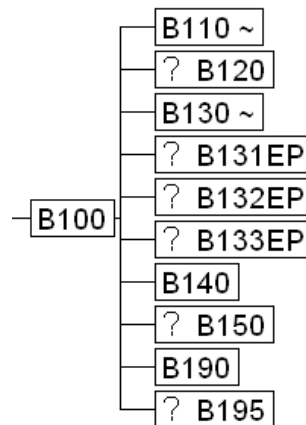
Example:

```
<B093EP>  
  <B0931EP><date>yyyymmdd</date></B0931EP>  
  <B0932EP><date>yyyymmdd</date></B0932EP>  
  <B0933EP><date>yyyymmdd</date></B0933EP>  
</B093EP>
```

When the request is accepted, the result will be a **new B3-publication**.



B100 - Document identification



B110 - Publication number of the document (EPO or WIPO)

Example:

<B110>1118543</B110> - EPO number

<B110>2003043537</B110> - WIPO number



B120 - Plain language designation

Containing tags: <B121> and <B121EP>

Example:

```
<B120>  
  <B121>Plain language designation of the kind of document</B121>  
  <B121EP>Descriptive text for B121 (EPO)</B121EP>  
</B120>
```

The language depends on contents of tag <'B260> - publication language - e.g. for code 'en' tag <B121> will contain 'EUROPEAN PATENT APPLICATION'

Examples:

For A documents

```
<B120><B121>EUROPEAN PATENT APPLICATION</B121></B120>  
  
<B120><B121>EUROPEAN PATENT APPLICATION</B121>  
  <B121EP>published in accordance with Art. 153(4) EPC</B121EP>  
</B120>
```

Note: previously Article 158(3) - pre EPC 2000

```
<B120><B121>EUROPÄISCHE PATENTANMELDUNG</B121></B120>  
  
<B120><B121>DEMANDE DE BREVET EUROPEEN</B121></B120>
```

For B documents

```
<B120><B121>EUROPEAN PATENT SPECIFICATION</B121></B120>  
  
<B120><B121>EUROPÄISCHE PATENTSCHRIFT</B121></B120>  
  
<B120><B121>FASCICULE DE BREVET EUROPEEN</B121></B120>
```



New for EPC 2000

For B2:

<B120><B121>NEW EUROPEAN PATENT SPECIFICATION</B121></B120>
<B121EP>After opposition procedure</B121EP>

<B120><B121>NEUE EUROPÄISCHE PATENTSCHRIFT</B121></B120>
<B121EP>Nach dem Einspruchsverfahren</B121EP>

<B120><B121>NOUVEAU FASCICULE DE BREVET EUROPEEN</B121></B120>
<B121EP>Après la procédure d'opposition</B121EP>

For B3:

<B121>NEW EUROPEAN PATENT SPECIFICATION</B121>
<B121EP>After limitation procedure (B3-1)</B121EP>

<B121>NEUE EUROPÄISCHE PATENTSCHRIFT</B121>
<B121EP>Nach dem Beschränkungsverfahren(B3-1)</B121EP>

<B121>NOUVEAU FASCICULE DE BREVET EUROPEEN</B121>
<B121EP>Après la procédure de limitation (B3-1)</B121EP>



B130 - Kind of document

The values used by the EPO are:

- A1 Application published with search report
- A2 Application published without search report
- A3 Separate publication of the search report

- A8 Correction - reprint of the title page of an A-document
- A9 Correction - complete reprint of an A-document

- B1 Granted patent
- B2 Amended granted patent after opposition procedure
- B3 Amended granted patent after limitation procedure

- B8 Correction - reprint of the title page of a B-document
- B9 Correction - complete reprint of a B-document



B132EP - Original kind code

```
<!ELEMENT B132EP (#PCDATA) >
```

```
<!ATTLIST B132EP  
          sequence CDATA #IMPLIED >
```

The values used by the EPO are:

A1 Application published with search report
A2 Application published without search report
A3 Separate publication of the search report

B1 Granted patent
B2 Amended granted patent after opposition procedure
B3 Amended granted patent after limitation procedure

Only used within correction files (status="c"). See also <B150> for examples.

Examples:

```
<ep-bulletin id="EP02075796A9W1" file="02075796.9" lang="en" country="EP" doc-  
number="1217438" kind="A9" correction-code="W1" date-publ="20050105" status="c" dtd-  
version="ep-bulletin-v1-1">
```

```
....
```

```
<B130>A9</B130>
```

```
<B132EP>A2</B132EP>
```

```
...
```

```
<B150>
```

```
  <B151>W1</B151>
```

```
  <B155>
```

```
    <B1551>de</B1551>
```

```
    <B1552>Beschreibung</B1552>
```

```
    <B1551>en</B1551>
```

```
    <B1552>Description</B1552>
```

```
    <B1551>fr</B1551>
```

```
    <B1552>Description</B1552>
```

```
  </B155>
```

```
</B150>
```

For a corrected B3, the B132EP tag will contain the **sequence** attribute with the value of the original B3 sequence number.

```
<B130>B9</B130>
```

```
<B132EP sequence="1">B3</B132EP>
```



B133EP - New kind code

The values used by the EPO are:

- A1 Application published with search report
- A2 Application published without search report
- A3 Separate publication of the search report

- B1 Granted patent
- B2 Amended granted patent after opposition procedure
- B3 Amended granted patent after limitation procedure

Only used within correction files (status="c"). See <B150> for examples.

B140 - Date of publication

<B140><date>20050105</date></B140>

B150 - Patent correction information

<B150>

<B151>Supplementary correction code

The values used by the EPO are:

DL - Deletion (cancellation) of a previously announced correction

YF - Replacement of electronic file (no reprint will be made, only data is changed)

Wn - Reprint required - n = the Nth reprint.

</B151>

<B152>

<date>Issue date of announced correction being cancelled</date>

</B152>

<B153>Affected INID codes</B153>

<B154>Standard notes

<B1541>Note language</B1541>

<B1542>Note text</B1542>

</B154>

<B155>Affected parts of document

<B1551>Part language</B1551>

<B1552>Part text</B1552>

</B155>

</B150>



Example of XML markup for a title page reprint.

This is an example where the kind code for the publication has been changed from the original publication (A1) to the corrected publication (A2).

```
<ep-bulletin id="EP1217438A8W1" file="02075796.9" lang="en" country="EP" doc-  
number="1217438" kind="A8" correction-code="W1" date-publ="20050105" status="c" dtd-  
version="ep-bulletin-v1-1">
```

```
<SDOBI lang="en"  
<B121>CORRECTED EUROPEAN PATENT APPLICATION</B121>  
<B130>A8</B130> Code of reprint (11/13)  
<B132EP>A1</B132EP> Original kind code (15)  
<B133EP>A2</B133EP> New kind code (15)  
<B150> Correction information. (15)  
<B151>W1</B151> Suppl. correction code. (15)  
<B153>11 13</B153> Affected INID codes. (15)  
<B154> Standard notes. (15)  
<B1541>de</B1541> Language  
<B1542>Korrigierter Dokumentart-Code</B1542> Note text  
<B1541>en</B1541> Language  
<B1542>Corrected Kind of Document code</B1542> Note text  
<B1541>fr</B1541> Language  
<B1542>Code du type de document corrigé</B1542> Note text  
</B154>  
<B155> Affected parts  
<B1551>de</B1551> Language  
<B1552>Bibliographie</B1552> Part text  
<B1551>en</B1551> Language  
<B1552>Bibliography</B1552> Part text  
<B1551>fr</B1551> Language  
<B1552>Bibliographie</B1552> Part text  
</B155>  
</B150>  
<B210>02075796.9</B210> Application number (21)  
<B430>  
<date>20020626</date> Date of original publication. (43)  
<bnum>200226</bnum> Bull. number where announced.  
</B430>  
<B480> Corrigendum issued. (48)  
<date>20050105</date> Date of publication of correction.  
<bnum>200501</bnum> Bull. number where announced.  
</B480>
```

Note. Italic numbers in brackets indicate the INID codes under which these items will appear on the title page.



A previously announced correction is being cancelled:

<ep-bulletin id="EP1217438A8DL" file="02075796.9" lang="de" country="EP" doc-number="1217438" kind="A8" correction-code="DL" date-publ="20050105" status="c" dtd-version="ep-bulletin-v1-3">

<SDOBI lang="de">	
<B121>KORRIGIERTE EUROPÄISCHE PATENTANMELDUNG</B121>	
<B130>A8</B130>	Code of reprint (11/13)
<B132EP>A1</B132EP>	Original kind code (15)
<B150>	Correction information. (15)
<B151>DL</B151>	Suppl. correction code. (15)
<B152><date>20041215</date></B152>	Issue date of announced correction being cancelled (15)
<B154>	Standard notes. (15)
<B1541>de</B1541>	Language
<B1542>Die für dieses Datum gemeldete Korrektur entfällt</B1542>	Note text
<B1541>en</B1541>	Language
<B1542>The correction forseen for this date is cancelled</B1542>	Note text
<B1541>fr</B1541>	Language
<B1542>La correction annoncée pour cette date est annulée</B1542>	Note text
</B154>	
</B150>	
<B210>02075796.9</B210>	Application number (21)
<B430>	
<date>20041215</date>	Date of original publication. (43)
<bnum>200451</bnum>	Bull. number where announced.
</B430>	
<B480>	Corrigendum issued. (48)
<date>20050105</date>	Date of publication of correction.
<BNUM>200501</bnum>	Bull. number where announced.
</B480>	



XML markup for correction of electronic file only:

```
<ep-bulletin id="EP1217439A9YF" file="01204776.7" lang="de" country="EP" doc-number="1217439"
kind="A9" correction-code="YF" date-publ="20050105" status="c" dtd-version="ep-bulletin-v1-3">
```

```
<SDOBI lang="de">
```

```
<B121>KORRIGIERTE EUROPÄISCHE PATENTANMELDUNG</B121>
```

```
<B130>A9</B130>
```

Code of reprint (*see the note below*)

```
<B132EP>A1</B132EP>
```

Original kind code (15)

```
<B150>
```

Correction information. (15)

```
<B151>YF</B151>
```

Suppl. correction code. (15)

```
<B210>01204776.7</B210>
```

Application number (21)

```
<B430>
```

```
<date>20041215</date>
```

Date of original publication. (43)

```
<bnum>200451</bnum>
```

Bull. number where announced.

```
</B430>
```

```
<B480>
```

Corrigendum issued. (48)

```
<date>20050105</date>
```

Date of publication of correction.

```
<BNUM>200501</bnum>
```

Bull. number where announced.

```
</B480>
```

Note. Although the code of reprint A9 is given, indicating a reprint of the entire document, the supplementary correction code YF indicates to the publisher that only the electronic file is to be reprocessed and no reprint done.

B190 – Publisheing country or organisation

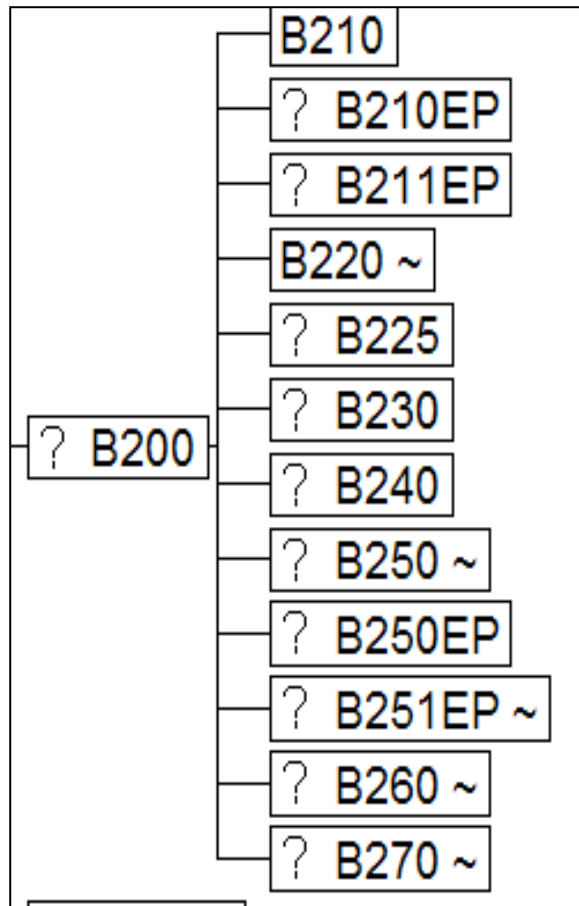
Country or organisation, which actually publishes the document. The values used by EPO are:

EP European Patent Office

WO WIPO



B200 - Domestic filing data



B210 - Application number

Number assigned by the EPO when the application is filed. The number is stored as eight digits plus a check digit in the following format 'YYNNNNNN.P'.

Where:

- **YY** = Year of application

Note: From 2000 it is 00, 01, etc care should be taken with any sort programs based on this number.

- **NNNNNN** = Number

- **P** = Check digit : calculated according to Modulus 10 - calculations detect single transpositions and incorrect keying of a single digit. The calculation is performed as follows:

The units position and every alternate position of the basic number is multiplied by 2. The digits resulting from the multiplication are added to those that were not multiplied. The total is subtracted from the next higher number ending with zero. The result is the check digit.

EP application number : 03789660.2

0	3	7	8	9	6	6	0	(base)
x	x	x	x	x	x	x	x	(multiply)
1	2	1	2	1	2	1	2	(by)
0	6	7	16	9	12	6	0	

Add every digit separately (i.e. 16 has to be added as 1+6):

$$0 + 6 + 7 + 1 + 6 + 9 + 1 + 2 + 6 + 0 = 38$$

Divide 38 : 10 = 3 and the remainder is 8

Subtract 10 - 8 = 2 check digit

Also a **root element** attribute "**file=**" contains the application number.

```
<ep-bulletin id="EP03789660A1" file="03789660.2" lang="en" country="EP" doc-number="1826796"
kind="A1" date-publ="20070829" status="n" dtd-version="ep-bulletin-v1-3">
```



B220 - Application filing date

```
<B220>  
  <date>20000417</date>  
</B220>
```

(Similar construct for the following data elements).

B235 - Date of refusal of application

B236 - Date of withdrawal of application

B237 - Date of application deemed withdrawn

B238EP - Date of receipt of request for re-establishment of rights

B238 - Date of decision for re-establishment of rights

Note: Used together with tag <B004EP>

B239 - Date of revocation

When a patent is revoked our Patent Administration System delivers only the actual legal date of effect of the revocation which will be stored and marked up as follows:

```
<ep-bulletin . . . status="r" >  
. . .  
<B002EP>  
  <ep-chg-info>  
    <ep-chg idref="ep-chg0001" btag="B239" date="20060104" status="n"/>  
  </ep-chg-info>  
</B002EP>  
. . .  
<B239 id="ep-chg0001">  
  <date>20060218</date>  
</B239>
```

B241 - Date of request for examination

B242 - Date of despatch of the first examination report

B243 - Date of 'patent maintained as amended'



B244 - Request for conversion (to national application) under EPC Art. 135

```
<B244>  
  <date>Date of the request for conversion to national application</date>  
  <ctry>Country code (States concerned)</ctry>  
</B244>
```

Example:

```
<B244>  
  <date>19940221</date>  
  <ctry>DE</ctry>  
  <ctry>ES</ctry>  
  <ctry>IT</ctry>  
</B244>
```

B245 - Date of suspension (Rule 14) / Interruption (Rule 142) of proceedings

Note: Used together with tag <B245EP>

B245EP - Suspension/Interruption indicator

Indicates the type of suspension or Interruption. The values used by EPO are, according to EPC rules (old EPC: Rules 13 and 90):

- 1 Suspension (Rule 14)
- 2 Applicant died (Rule 142(1)(a))
- 3 Legal incapacity of applicant (Rule 142(1)(a))
- 4 Legal prevention (Rule 142(1)(b))
- 5 Representative died (Rule 142(1)(c))
- 6 Legal incapacity of representative (Rule 142(1)(c))
- 7 Bankruptcy of the representative (Rule 142(1)(c))

Examples:

- Date of suspension (Rule 14) :
 <B245>
 <date>19880916</date>
 </B245>
 <B245EP>1</B245EP>
- Date of interruption (Rule 142) :
 <B245>
 <date>19880916</date>
 </B245>
 <B245EP>2</B245EP>

Note: Used together with tag <B245> and/or <B246>



B246 - Date of resumption of proceedings (Rule 14 / Rule 142)

(Old EPC: Rules 13 and 90)

Examples:

- Date of resumption (Rule 14) :

```
<B245EP>1<B245EP>  
<B246>  
    <date>19890916</date>  
</B246>
```

- Date of resumption (Rule 142)

```
<B245EP>2</B245EP>  
<B246>  
    <date>19890916</date>  
</B246>
```

Note: Used together with tag <B245> and/or <B246>

B250 - Filing language

It contains the language code in which the application was originally filed e.g:

de German
en English
fr French
ja Japanese
etc.

B251EP - Procedure language

Content: en, fr or de

Note: Under EPC Article 14, (3): The official language of the European Patent Office in which the European patent application is filed or into which it is translated shall be used as the language of the proceedings in all proceedings before the European Patent Office, unless the Implementing Regulations provide otherwise.



B260 - Publication language

Language in which the Application/Patent has to be published. Currently, EPO uses the following languages:

- fr French
- en English
- de German

Also a **root element attribute** "lang="

```
<ep-bulletin id="EP00100102A2" file="00100102.3" lang="en" country="EP" doc-  
number="1018688" kind="A2" date-publ="20050105" status="r" dtd-version="ep-bulletin-v1-3">
```



B270 - Previously filed application

EPC 2000 Phase 3 a)

This relates to new INID code (27) under WIPO ST.9; where the provisional wording is:

Reference to a previously filed application for the purposes of obtaining a filing date under the Patent Law Treaty (PLT) Article 5(7).

which states:

(7) [Replacing Description and Drawings by Reference to a Previously Filed Application]

(a) Subject to the requirements prescribed in the Regulations, a reference, made upon the filing of the application, in a language accepted by the Office, to a previously filed application shall, for the purposes of the filing date of the application, replace the description and any drawings.

(b) Where the requirements referred to in subparagraph (a) are not complied with, the application may be deemed not to have been filed. Where the application is deemed not to have been filed, the Office shall notify the applicant accordingly, indicating the reasons therefor.

EPO definition from requirements: The applicant may file "by reference to a previously filed application". This means, rather than filing the text of a new EP application, the applicant refers to the description, any drawings, and potentially claims of that previously filed application. Such reference to date/state/number of the previously filed application is enough for obtaining a date of filing for the new EP application. The applicant then has two months from the date of filing for filing the actual text of that EP application, in the form of a certified copy of the earlier application. If not filed, it may still be filed within two months from an EPO invitation (is dispensed with in cases where the previously filed application is available to the EPO). Otherwise the application will not be dealt with as a European patent application. The bibliography of the previously filed application (like its date of filing, any priority claim etc.) is of no relevance to the new EP application, nor is its date of filing taken as the basis for the calculation of time limits (unless this previously filed application is also claimed as a priority, which is possible, and will continue to be recorded as such).

EPC Rule 40 - Date of Filing:

(1) (c) a description or reference to a previously filed application.

(2) A reference to a previously filed application under paragraph 1(c) shall state the filing date and number of that application and the Office with which it was filed. Such reference shall indicate that it replaces the description and any drawings.



XML/DTD

<!ELEMENT B270 (dnum,date,ctry,kind?,dtx)* >

<!ATTLIST B270
id ID #IMPLIED >

XML	Definition	EPASYS
<dnum>	Earlier application number	EAPP01
<date>	Date of filing of above	EAPP02
<ctry>	Filing office of above	EAPP03

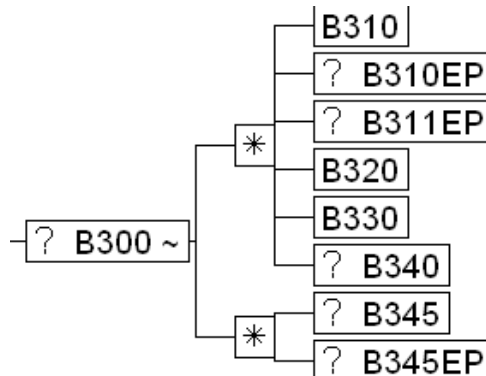
kind & dtx tags not used by EPO.

Example: “a previously filed application”

```
<B270>  
  <dnum><anum>2000131865</anum></dnum>  
  <date>20040228</date>  
  <ctry>JP</ctry>  
</B270>
```




B300, B310, B320, B330 - Priority data



(30) Data relating to priority under the Paris Convention

(31) Number(s) assigned to priority application(s)

(32) Date(s) of filing of priority application(s)

(33) WIPO Standard ST.3 code identifying the national industrial property office allotting the priority application number or the organization allotting the regional priority application number; for international applications filed under the PCT, the code "WO" is to be used

<B300>

<B310>Number</B310>

<B320>

<date>Date</date>

</B320>

<B330>

<ctry>Country in which the priority application was filed</ctry>

</B330>

</B300>

- ◆ For a PCT priority the tag <B330> contains the code WO and the format of the priority number, <B310>, is PCT/xyyy/n where:

xx Original country

yy Year

n Variable length priority number

- ◆ There is no tag to mark the beginning of the repeatable group for tags <B310>, <B320> and <B330>. However these tags are always presented in the same sequence.

- ◆ In respect to year 2000 compliance the EPO generally relies on the priority number - <B310> - given by the issuing office which may or may not be year 2000 compliant.



Example: for priority data:

```
<B300>  
  <B310>14534299</B310>  
  <B320><date>19990525</date>    </B320>  
  <B330><ctry>JP</ctry></B330>  
  <B310>PCT/JP00/02045</B310>  
  <B320><date>20000330</date></B320>  
  <B330><ctry>WO</ctry></B330>  
</B300>
```

Example: change on priority data:

```
<B002EP>  
  <ep-chg-info>  
    <ep-chg idref="ep-chg0001" btag="B300" date="20041112" status="r"/>  
  </ep-chg-info>  
</B002EP>
```

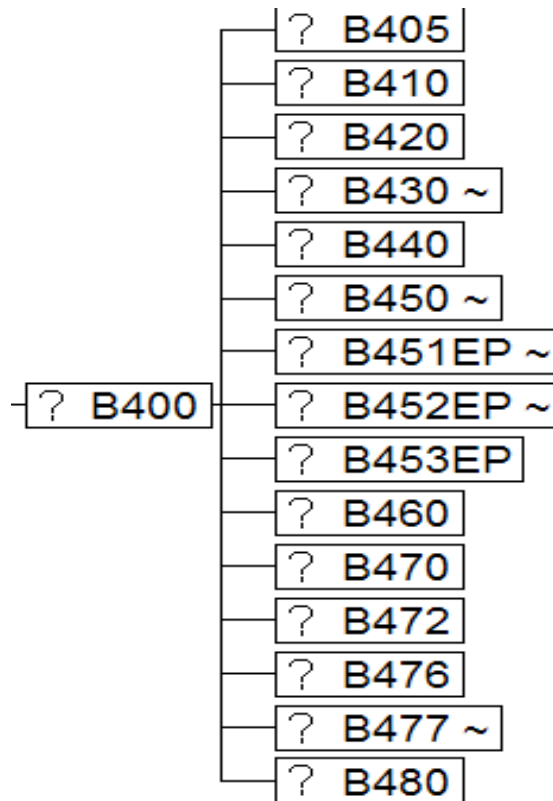
```
<B300 id="ep-chg0001">  
  <B310>0350215</B310>  
  <B320>  
    <date>20030612</date>  
  </B320>  
  <B330>  
    <ctry>FR</ctry>  
  </B330>  
  <B310>0350215</B310>  
  <B320>  
    <date>20030612</date>  
  </B320>  
  <B330>  
    <ctry>FR</ctry>  
  </B330>  
</B300>
```

Example: deletion of priority data:

```
<B002EP>  
  <ep-chg-info>  
    <ep-chg idref="ep-chg0001" btag="B300" date="20041117" status="d"/>  
  </ep-chg-info>  
</B002EP>  
  
<B300 id="ep-chg0001"></B300>
```



B400 – Public availability dates



B405 - Patent Bulletin / Gazette information

```
<B405>  
  <date>Publication date</date>  
  <bnum>Issue number of the Bulletin</bnum>  
</B405>
```

Date when the EPO Bulletin is actually published and the corresponding issue number.

Example:

```
<B405>  
  <date>20050105</date>  
  <bnum>200501</bnum>  
</B405>
```



B430 - Unexamined document without grant (first publication)

(43) Date of making available to the public by printing or similar process of an unexamined patent document, on which no grant has taken place on or before the said date

```
<B430>  
  <date>Publication date</date>  
  <bnum>Issue number of the Bulletin</bnum>  
</B430>
```

Date of publication of application (A1, A2) and issue number of the EPO Bulletin in which the first publication of the application is mentioned.

Example:

```
<B430>  
  <date>19940302</date>  
  <bnum>199409</bnum>  
</B430>
```

The publication date is also a **root element attribute**:

```
<ep-bulletin id="EP00100102A2" file="00100102.3" lang="en" country="EP" doc-number="1018688"  
kind="A2" date-publ="20050105" status="r" dtd-version="ep-bulletin-v1-1">
```

B450 - Document with grant (second publication)

(45) Date of making available to the public by printing or similar process of a patent document on which grant has taken place on or before the said date

```
<B450>  
  <date>Publication date</date>  
  <bnum>Issue number of the Bulletin</bnum>  
</B450>
```

Date of publication of specification (B1) and the issue of the EPO Bulletin in which the mention of the grant is published.

The publication date is also a **root element attribute**:

```
<ep-bulletin id="EP00000001B1" file="00000001.8" lang="de" country="EP" doc-number="1118543"  
kind="B1" date-publ="20050105" status="r" dtd-version="ep-bulletin-v1-1">
```



B451EP - Date of announcement of intention to grant

Date of announcement of intention to grant a patent.

B452EP - Date of announcement of intention to grant (after 01.07.2002)

Date of announcement of intention to grant a patent. (Communication pursuant to Rule 51(4) EPC after 01.07.2002; Rule 71(3) EPC 2000)

B453EP - Limitation decision

EPC 2000 Phase 3 b)

For publication (and XML placement): existing INID code (45) will be used with the title: "Date of publication and mention of the limitation decision:"

XML/DTD:

```
<!ELEMENT B453EP (B4530EP+) >
  <!ELEMENT B4530EP (kind,date,bnum) >
  <!ATTLIST B4530EP
    id ID #IMPLIED
    sequence CDATA #IMPLIED
    limitation-sequence CDATA #IMPLIED >
```

Note: the value in the limitation-sequence attribute relates to the number stored in the limitation-sequence attribute in B090EP tag.

Example:

```
<B453EP>
  <!-- First B3 -->
  <B4530EP id="ep-chg0001" sequence="1" limitation-sequence="1">
    <kind>B3</kind>
    <date>20080102</date>
    <bnum>200801</bnum>
  </B4530EP>
  <!-- Second B3 -->
  <B4530EP sequence="2" limitation-sequence="2">
    <kind>B3</kind>
    <date>20080305</date>
    <bnum>200810</bnum>
  </B4530EP>
</B453EP>
```



B472, B475 - Term of grant, lapse

```
<B472>
  <B475>Lapse of a patent
    <date>Date of lapse</date>
    <ctry>Country code</ctry>
  </B475>
</B472>
```

In the EBD file this data can take two formats, depending on the time the record was created, for the back file there is, generally, no change tag,

Example:

```
<B472>
  <B475>
    <date>20030805</date>
    <ctry>AT</ctry>
    <date>20030831</date>
    <ctry>CH</ctry>
    <date>20030831</date>
    <ctry>LI</ctry>
    <date>20030705</date>
    <ctry>DE</ctry>
    <date>20040430</date>
    <ctry>FR</ctry>
  </B475>
</B472>
```

Example for new lapse of a patent:

```
<B002EP>
  <ep-chg-info>
    <ep-chg idref="ep-chg0001" btag="B475" date="20041118" status="n"/>
  </ep-chg-info>
</B002EP>

<B472>
  <B475 id="ep-chg0001">
    <date>20040310</date>
    <ctry>AT</ctry>
    <date>20040310</date>
    <ctry>BE</ctry>
    <date>20040310</date>
    <ctry>CH</ctry>
  </B475>
</B472>
```



B477 - Document printed as amended, third level of publication (e.g. EPO 'B2')

```
<B477>  
  <date>Publication date</date>  
  <bnum>Issue number of the Bulletin</bnum>  
</B477>
```

```
<B477>  
  <date>20020821</date>  
  <bnum>200234</bnum>  
</B477>
```

Date of publication (B2) and issue number of the EPO Bulletin in which the mention of the document printed as amended is published.

The publication date is also a **root element attribute**:

```
<ep-bulletin id="EP90907061B2" file="90907061.7" lang="de" country="EP" doc-number="0472565"  
kind="B2" date-publ="20050105" status="r" dtd-version="ep-bulletin-v1-1">
```

B480 - Corrigendum issued data

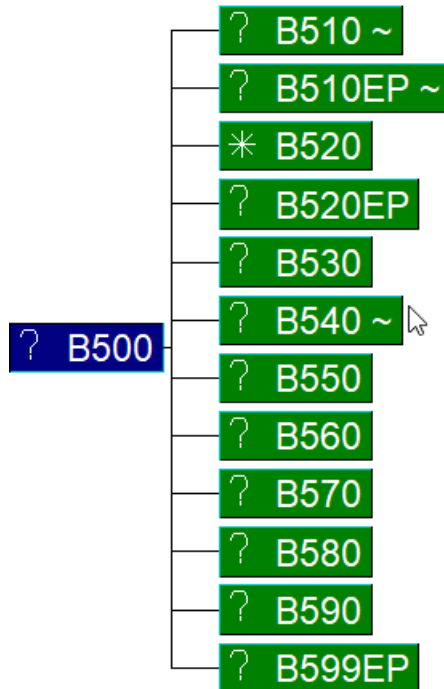
(48) Date of issuance of a corrected patent document

```
<B480>  
  <date>Date of publication of correction</date>  
  <bnum>Bulletin number where announced</bnum>  
</B480>
```

See tag <B150> for examples.

B500 - Technical Data

XML structure:



B510 - International Patent Classification (IPC)

Note: This coding will no longer be used in the XML files after publication week 52-2005 but instead the IPC coding will be stored in tag B510EP.

<B510>

<B516> Will contain "version" edition statement indicator 8 or, for earlier files 7, etc
 <B511> First information
 <B512> Inventive classification would be B511 & B512
 <B513> Non inventive classification
 <B514> "
 <B515> "
 <B517EP> Non-obligatory suppl. class. - **no longer used in IPCR** - but for changes to any old files it may be present

</B510>

Example:

<B510>

<B516>8
 <B511> 8B 60R 13/08 A
 <B512> 8C 08J 9/00 B
 <B512> 8C 08J 9/10 B
 <B513> 8C 08L 51/06 -

</B510>



IMPORTANT NOTES:

- There is no "edition" 8 in the new WIPO ST.8; therefore we will not have, for example, Int. CL.8 printed on the title page of EP patents, but for consistency with current (pre-2006) processing we will keep this number, for all practical purposes it is 8 and indicated as such to EPO examiners in the guide to the new IPC.
- Tag B510 will be used to store the IPC coding until the publication week 52-2005. From publication week 01-2006, we will only use tag **B510EP** for the new (IPCR) coding (see details in the following pages).
- Back file data will NOT be changed to B510EP because it is published data in the public domain



B510EP - International Patent Classification (IPCR – in force from week 01-2006)

The new WIPO ST.8 standard defined in the PDF document available at <http://www.wipo.int/export/sites/www/standards/en/pdf/03-08-01.pdf> states:

Industrial property offices are asked to implement this new version of Standard ST.8 for all patent documents with a publication date from January 1, 2006, onwards. For patent documents published prior to that date, the previous version of the Standard should continue to be used.

This recording convention provides that symbols of the International Patent Classification (IPC) should be presented on machine-readable records for the exchange of information in machine-readable form in a fixed-length field in 50 positions, each part of the Int. Cl. symbol being recorded in specific positions and in the manner prescribed.

...

A schematic representation of the contents of the 50 positions is as follows:

Section	Class			Subclass	Main Group				Separating character	Subgroup						Blanks		
1	2	3	4	5	6	7	8	9	10	11	12	13	14	15	16	17	18	19

Version indicator								Classification level	First or later position of a symbol	Classification value	Action date							
20	21	22	23	24	25	26	27	28	29	30	31	32	33	34	35	36	37	38

Original or reclassified data	Source of classification data	Generating office		Blanks							
39	40	41	42	43	44	45	46	47	48	49	50

As can be seen from the section of the DTD printed below each part has been assigned an element name; for example: <generating-office>

<!ELEMENT B510EP (classification-ipc+)>

<B510EP> contains <classification-ipc> which in turns contains all the new tags for each part of the classification **or** it can be stored in a fixed length field of 50 positions within the <text> data element.

<!ELEMENT classification-ipc ((section , class , subclass , main-group? , subgroup? , ipc-version-indicator , classification-level? , symbol-position? , classification-value? , action-date? , classification-status? , classification-data-source? , generating-office?) | text)>

This can also be represented by the following table:

Position(s)	Content	Values	ST.36 (XML)
1	Section	A-H	<section>
2-3	Class	01...99	<class>
4	Subclass	A...Z	<subclass>
5 to 8	Main Group (right aligned)	1...9999, blank	<main-group>
9	Separating character	/ ("Slash")	
10 to 15	Subgroup (left aligned)	00...999999 blank	<subgroup>
16 to 19	For future use	4 blanks	
20 to 27	Version indicator	YYYYMMDD date format	<ipc-version-indicator>
28	Classification level	C, A, S	<classification-level>
29	First or later position of symbol	F, L	<symbol-position>
30	Classification value (inventive or non-inventive)	I, N	<classification-value>
31 to 38	Action date	YYYYMMDD date format	<action-date> <date>
39	Original or reclassified data	BRVD	<classification-status>
40	Source of classification data	H M G	<classification-data-source>
41-42	Generating office	AA ZZ (ST.3)	<generating-office> <country>
43-50	For future use	8 blanks	



To mark up this data with each part coded is very heavy mark up; for example:

```
<B510EP>
  <classification-ipcr sequence="1">
    <section>C</section>
    <class>22</class>
    <subclass>C</subclass>
    <main-group>1</main-group>
    <subgroup>02</subgroup>
    <ipc-version-indicator>20050101</ipc-version-indicator>
    <classification-level>A</classification-level>
    <symbol-position>F</symbol-position>
    <classification-value>I</classification-value>
    <action-date>20050105</action-date>
    <classification-status>B</classification-status>
    <classification-data-source>H</classification-data-source>
    <generating-office>EP</generating-office>
  </classification-ipcr>
</B510EP>
```

This is for **one** classification of, on average, 2 or 3 classifications for an EP document. We will, therefore, capture the new IPC **as one fixed length field of 50 positions** conforming to the new IPC (see above); for example (this example taken from WIPO ST.8):

```
<B510EP>
  <classification-ipcr sequence="1">
    <text>B28B 5/00 20060101AFI20070601BHEP </text>
  </classification-ipcr>
</B510EP>
```

Because the field is always fixed length rendering for display, page layout etc. should be straightforward. Before contacting the EPO about the meaning and interpretation of the new IPC please refer to the tables above and new WIPO ST.8:

<http://www.wipo.int/export/sites/www/standards/en/pdf/03-08-01.pdf>

Example:

```
<B510EP>
  <classification-ipcr sequence="1">
    <text>C09D 151/00 20000101AFI20060104BHEP </text>
  </classification-ipcr>
  <classification-ipcr sequence="2">
    <text>C08F 265/06 20000101ALI20060104BHEP </text>
  </classification-ipcr>
  <classification-ipcr sequence="3">
    <text>C09D 5/02 20000101ALI20060104BHEP </text>
  </classification-ipcr>
  <classification-ipcr sequence="4">
    <text>C09D 175/04 20000101ALI20060104BHEP </text>
  </classification-ipcr>
</B510EP>
```

Note: the spaces or blanks (which are important) are coded in UTF-8 as 0020 (space).



Corrections and changes to previous publications using earlier versions of the IPC

For several months and, probably, years the EPO will be processing data coded to previous versions (editions) of the IPC - for the front file (01.2006 on) we will use the 50 position IPCR in all cases and positions 20 to 27 - the version indicator date - will contain the date of creation of the IPC as held in the EPO database. This could, of course, be well before 2006.

In some cases it may not be possible to determine the version indicator date because the classification is no longer valid in such cases the value of the version indicator date will be set to eight zeros: 00000000, example:

```
<B510EP>  
<classification-ipcr sequence="1">  
<text>H05K 1/05      00000000AFI20060104BHEP      </text>  
</classification-ipcr>  
</B510EP>
```

For information:

The publication of the new IPC on the title page of EP patent documents will be similar to the layout below:

(51) Int. Cl.:
C07D 231/56 (2006.01) **C07D 417/12 (2006.01)**
C07D 401/04 (2006.01) **C07D 409/14 (2006.01)**
C07D 401/06 (2006.01) **C07D 409/12 (2006.01)**

B520EP – Cooperative Patent Classification (CPC)

The Cooperative Patent Classification (CPC) is an extension of the IPC and is jointly managed by the EPO and the US Patent and Trademark Office. It is divided into nine sections, A-H and Y, which in turn are sub-divided into classes, sub-classes, groups and sub-groups.

The Cooperative Patent Classification (CPC) was initiated as a joint partnership between the USPTO and the EPO where the Offices have agreed to harmonize their existing classification systems (ECLA and USPC, respectively) and migrate towards a common classification scheme. This was a strategic decision by both offices and is seen as an important step towards advancing harmonization efforts currently being undertaken through the IP5's Working Group 1 on Classification.

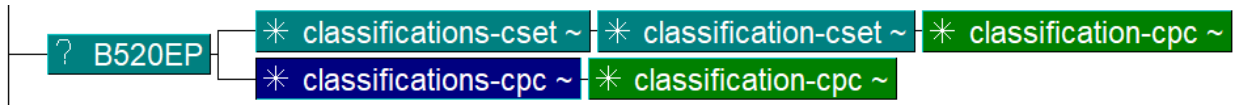
The migration to CPC was developed based in large part on the existing European Classification System (ECLA) modified to ensure compliance with the International Patent Classification system (IPC) standards administered by the World Intellectual Property Organization (WIPO).

The CPC symbols will be stored in as one fixed length field of **50 positions** as described in the following table:

Tags supported in CPC standard	Position in CPC standard	Description	Values
<classification-symbol >	1	Section	A, ...,H, Y
	2-3	Class	01...99
	4	Subclass	A...Z
	5 to 8	Main Group	1...9999, right aligned
	9	Separator	/ ("Slash")
	10 to 15	Subgroup	00,..., 999999
	16 to 19	n.a.	Trailing spaces
<classification-scheme> <date>	20 to 27	Version indicator (date format)	CCYYMMDD
<classification-level>	28	Core, Advanced	Not applicable
<symbol-position>	29	First, Later	F, L – only for CPCI
<classification-value>	30	Inventive or Additional	I, A
<action-date> <date>	31 to 38	Date format	CCYYMMDD
<classification-status>	39	Original or reclassified	B, R
<classification-data-source>	40	Human, Concordance, Generated	H C G
<generating-office> <country>	41-42	Country code	AA,..., ZZ (ST.3)



XML structure:



Example:

```
<B520EP>
<classifications-cset>
  <classification-cset group-number="1">
    <classification-cpc rank="1">
      <text>CO9D 3/02 20130101 LI20190704BHEP</text>
    </classification-cpc>
    <classification-cpc rank="2">
      <text>CO8K 5/57 20130101 LI20190704BHEP</text>
    </classification-cpc>
  </classification-cset>
  <classification-cset group-number="2">
    <classification-cpc rank="1">
      <text>C10E 3/03 20130101 LI20190704BHEP</text>
    </classification-cpc>
    <classification-cpc rank="2">
      <text>CO7L 5/58 20130101 LI20190704BHEP</text>
    </classification-cpc>
  </classification-cset>
</classifications-cset>
<classifications-cpc>
  <classification-cpc sequence="1">
    <text>A23L 33/135 20160801AFI20190712BHEP</text>
  </classification-cpc>
  <classification-cpc sequence="2">
    <text>A61K 31/522 20130101ALI20190624BHEP</text>
  </classification-cpc>
</classifications-cpc>
</B520EP>
```



B540 - Title

```
<B540>
  <B541>de</B541>
  <B542>German title</B542>
  <B541>en</B541>
  <B542>English title</B542>
  <B541>fr</B541>
  <B542>French title</B542>
</B540>
```

Example:

```
<B540>
  <B541>de</B541>
  <B542>Verschluss für einen Sicherheitsbehälter</B542>
  <B541>en</B541>
  <B542>Closure for a security box</B542>
  <B541>fr</B541>
  <B542>Dispositif de fermeture pour une boîte de sécurité</B542>
</B540>
```

Example: change on German title

```
<B002EP>
  <ep-chg-info>
    <ep-chg idref="ep-chg0001" btag="B542" date="20041115" status="r"/>
  </ep-chg-info>
</B002EP>

<B540>
  <B541>de</B541>
  <B542 id="ep-chg0001">Vorrichtung zur Abgabe von Papierstücken</B542>
  <B541>en</B541>
  <B542>Device for distributing paper segments</B542>
  <B541>fr</B541>
  <B542>Dispositif de distribution de segments de papier</B542>
</B540>
```




B560 - List of prior art documents

(56) List of prior art documents, if separate from descriptive text

```
<B560>  
  <B561><text>Patent citation</text></B561>  
  <B562><text>Non patent citation</text></B562>  
</B560>
```

Example:

```
<B560>  
  <B561><text>EP-A- 0 409 179</text></B561>  
  <B561><text>US-A- 5 823 248</text></B561>  
  <B561><text>US-A- 5 871 043</text></B561>  
  <B562><text>PATENT ABSTRACTS OF JAPAN vol. 007 ...</text></B562>  
  <B562><text>PATENT ABSTRACTS OF JAPAN vol. 12 ...</text></B562>  
</B560>
```

These tags are only used on the title page of B documents.

B565 - Date of completion of search report

```
<B565>  
  <date>yyyymmdd</date>  
</B565>
```

Date when the European search report was drawn up.

B565EP - Date of drawing up and despatch of supplementary search report

```
<B565EP>  
  <date>yyyymmdd</date>  
</B565EP>
```

Date when a supplementary European search report was drawn up.

B566EP - Date of despatch for correction to the search report

Date of despatch of new documents to the applicant after publication of the search report.



B598 - Figure number on first (title) page, abstract drawing

This tag contains the figure number(s) of the drawings to include in the first title page.

Example:

```
<B590>  
  <B598>4b</B598>  
  <B598>4c</B598>  
</B590>
```

B600 - References to other legal or procedural related domestic patent documents

B610 - Earlier document information

(61) Number and, if possible, filing date of the earlier application, or number of the earlier publication, or number of earlier granted patent, inventor's certificate, utility model or the like to which the present patent document is an addition

```
<B610>  
  <parent>Parent relation  
    <pdoc>Earlier document data  
      <dnum>  
        <anum>Application number of an earlier application</anum>  
        <pnum>Publication number of an earlier application</pnum>  
      </dnum>  
      <date>Date of receipt</date>  
    </pdoc>  
  </parent>  
</B610>
```



B620 - Parent application data

(62) Number and, if possible, filing date of the earlier application from which the present patent document has been divided up

```
<B620>
  <parent>Parent relation
    <pdoc>Parent document data
      <dnum>
        <anum>Application number of the Parent application</anum>
        <pnum>Publication number of the Parent application</pnum>
      </dnum>
      <date>Date of receipt</date>
    </pdoc>
  </parent>
</B620>
```

Example with two parent application numbers:

```
<B620>
  <parent>
    <pdoc>
      <dnum>
        <anum>96114809.5</anum>
        <pnum>0745474</pnum>
      </dnum>
      <date>19960916</date>
    </pdoc>
    <pdoc>
      <dnum>
        <anum>89303782.0</anum>
        <pnum>0354637</pnum>
      </dnum>
      <date>19890417</date>
    </pdoc>
  </parent>
</B620>
```



B620EP - Divisional application(s)

```
<B620EP>
<parent>Parent relation
  <pdoc>Divisional document data
    <dnum>
      <anum>Application number of the Divisional application</anum>
      <pnum>Publication number of the Divisional application</pnum>
    </dnum>
    <date>Date of receipt</date>
  </pdoc>
</parent>
</B620EP>
```

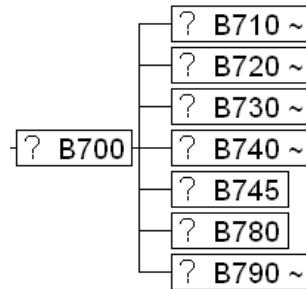
Example: change on divisional application data:

```
<B002EP>
  <ep-chg-info>
    <ep-chg idref="ep-chg0001" btag="B620EP" date="20041117"
    status="r"/>
  </ep-chg-info>
</B002EP>
```

```
<B620EP id="ep-chg0001">
  <parent>
    <cdoc>
      <dnum>
        <anum>04026830.2</anum>
      </dnum>
      <date>20041111</date>
    </cdoc>
    <cdoc>
      <dnum>
        <anum>04026831.0</anum>
      </dnum>
      <date>20041111</date>
    </cdoc>
  </parent>
</B620EP>
```



B700 - Parties concerned with the document



B710 - Applicants

<B710>

<B711>

<snm>Name</snm>

<iid>EPO number of the Applicant</iid>

<irf>Reference of the Applicant</irf>

<syn>Synonym, cross reference of the Applicant</syn>

<adr>Address

<str>Street</str>

<city>City, Town</city>

<ctry>Country code</ctry>

</adr>

<B716EP>Designated states for the applicant. Used only when some of the designated states are mentioned

<ctry> Country code</ctry>

</B716EP>

<B717EP>Designated extension for the applicant. Used only when some of the extended states are mentioned

<ctry> Country code</ctry>

</B717EP>

<B718EP> Effective date for transfer of rights

<date>yyyymmdd</date>

</B718EP>

</B711>

</B710>

Note: The name and address data, extracted from EPASYS, cannot be as precisely specified as might be desired. For example, under <snm> all names are given: corporate or personal and, in the latter, last name is not tagged separately from first name. In the <str> field other data than street is entered and in the <city> field we may have city and state, for example.

Examples of all these can be seen below.



Example: “Applicants”:

The designated states are: AT BE CH LI DE.

- The first applicant applies for countries: 'AT BE CH LI'
- The second applicant applies for countries: 'DE'.

```
<B710>
  <B711>
    <snm>F.HOFFMANN-LA ROCHE AG</snm>
    <iid>01138591</iid>
    <irf>19023 EP-Si</irf>
    <adr>
      <str>Grenzacherstrasse 124</str>
      <city>4070 Basel</city>
      <ctry>CH</ctry>
    </adr>
    <B716EP>
      <ctry>AT</ctry>
      <ctry>BE</ctry>
      <ctry>CH</ctry>
      <ctry>LI</ctry>
    </B716EP>
  </B711>
  <B711>
    <snm>Roche Diagnostics GmbH</snm>
    <iid>00205391</iid>
    <irf>19023 EP-Si</irf>
    <adr>
      <str>
      </str>
      <city>68298 Mannheim</city>
      <ctry>DE</ctry>
    </adr>
    <B716EP>
      <ctry>DE</ctry>
    </B716EP>
  </B711>
</B710>
```



B720 - Inventors

```
<B720>
  <B721>
    <snm>Name</snm>
    <adr>Address
      <str>Street</str>
      <city>Town</city>
      <ctry>Country code</ctry>
    </adr>
  </B721>
</B720>
```

Or, when the inventor has agreed to waive his entitlement to designation:

```
<B720>
  <B721>
    <B725EP>
      <text>Text according to publication language. See Table below
      </text>
    </B725EP>
  </B721>
</B720>
```

Note. Text from tag <B725EP> also used in tag <B009EP>.

Example:

```
<B720>
  <B721>
    <snm>Bornmann, Uwe</snm>
    <adr>
      <str>Mayerhansenstrasse 7/6</str>
      <city>A-4060 Leonding</city>
      <ctry>AT</ctry>
    </adr>
  </B721>
  <B721>
    <snm>Schörgenhuber, Heinz</snm>
    <adr>
      <str>Karl Wiserstrasse 8</str>
      <city>A-4020 Linz</city>
      <ctry>AT</ctry>
    </adr>
  </B721>
</B720>
```



Text used when inventors waive their entitlement to designation

Publication language Text in <B725EP>

When there is only one inventor and he has agreed to waive his entitlement to designation

De "Der Erfinder hat auf seine Nennung verzichtet"
En "The inventor has agreed to waive his entitlement to designation"
Fr "L'inventeur a renoncé à sa désignation"

When there are several inventors and they all have agreed to waive their entitlement to designation

De "Die Erfinder haben auf ihre Nennung verzichtet"
En "The inventors have agreed to waive their entitlement to designation"
Fr "Les inventeurs ont renoncé à leur désignation"

When there are several inventors and one of them has agreed to waive his entitlement to designation

De "Der weitere Erfinder hat auf seine Nennung verzichtet"
En "The other inventor has agreed to waive his entitlement to designation"
Fr "L'autre inventeur a renoncé à sa désignation"

When there are several inventors and some of them have agreed to waive their entitlement to designation

De "Die weiteren Erfinder haben auf ihre Nennung verzichtet"
En "The other inventors have agreed to waive their entitlement to designation"
Fr "Les autres inventeurs ont renoncé à leur désignation"



Example: “Inventors” who waived their entitlement to designation

```
<B720>
  <B721>
    <snm>Frey, Juerg</snm>
    <adr>
      <str>Haggenstr. 80</str>
      <city>9014 St. Gallen</city>
      <ctry>CH</ctry>
    </adr>
  </B721>
  <B721>
    <B725EP>
      <text>Die andere Erfinder haben auf ihre Nennung verzichtet.</text>
    </B725EP>
  </B721>
</B720>
```

Text from tag <B725EP> used as well in tag <B009EP> but in all three EPO official languages.

```
<B009EP>
  <text>Die andere Erfinder haben auf ihre Nennung verzichtet.</text>
  <text>The other inventors have agreed to waive their entitlement to designation.</text>
  <text>Les auters inventeurs ont renoncé à leur désignation.</text>
</B009EP>
```

B730 - Grantees/Proprietors

```
<B730>
  <B731>
    <snm>Name</snm>
    <iid>EPO number of the grantee</iid>
    <irf>Reference of the grantee</irf>
    <syn>Synonym, cross reference of the grantee</syn>
    <adr>Address
      <str>Street</str>
      <city>Town</city>
      <ctry>Country code</ctry>
    </adr>
    <B736EP>Designated states for the grantee. Used only when some of the designated
states are mentioned
      <ctry>Country code</ctry>
    </B736EP>
    <B738EP>Effective date for transfer of rights
      <date> yyyyymmdd</date>
    </B738EP>
  </B731>
</B730>
```



Example: change on grantee/proprietor:

```
<B002EP>
  <ep-chg-info>
    <ep-chg idref="ep-chg0001" btag="B730" date="20041112" status="r"/>
  </ep-chg-info>
</B002EP>

<B730 id="ep-chg0001">
  <B731>
    <snm>Koninklijke Philips Electronics N.V.</snm>
    <iid>00200769</iid>
    <irf>PHD97.116EP</irf>
    <adr>
      <str>Groenewoudseweg 1</str>
      <city>5621 BA Eindhoven</city>
      <ctry>NL</ctry>
    </adr>
    <B736EP>
      <ctry>FR</ctry>
      <ctry>GB</ctry>
    </B736EP>
    <B738EP><date>00000000</date></B738EP>
  </B731>
  <B731>
    <snm>Philips Intellectual Property & Standards GmbH</snm>
    <iid>02797108</iid>
    <irf>PHD97.116EP</irf>
    <adr>
      <str>Steindamm 94</str>
      <city>20099 Hamburg</city>
      <ctry>DE</ctry>
    </adr>
    <B736EP>
      <ctry>DE</ctry>
    </B736EP>
  </B731>
</B730>
```



B740 - Attorney/Representative of the applicant(s)/proprietor(s)

```
<B740>
  <B741>
    <snm>Name</snm>
    <sfx>Suffix 'et al'</sfx>
    <iid>EPO number of the Attorney/Agent</iid>
    <adr>Address
      <str>Street</str>
      <city>Town</city>
      <ctry>Country code</ctry>
    </adr>
  </B741>
</B740>
```

Example:

```
<B740>
  <B741>
    <snm>Hudson, Peter David</snm>
    <sfx>et al</sfx>
    <iid>00052402</iid>
    <adr>
      <str>Motorola Patent and Licensing Operations</str>
      <city>Basingstoke Hampshire RG22 4PD</city>
      <ctry>GB</ctry>
    </adr>
  </B741>
</B740>
```



B780 - Opposition(s)

<B780>

<B781>Opponent data

<dnum>

<text>Serial number of the opposition</text>

</dnum>

<date>Date of opposition</date>

◆ Date of receipt for 'filed' and 'admissible' oppositions

◆ Date of legal effect for 'inadmissible' and 'deemed not to be filed' oppositions

<kind>Kind code of the result from the examination on admissibility

</kind>

Code	Meaning
0	Opposition filed
1	Admissible opposition
2	Inadmissible opposition
3	Deemed not to be filed
4	Opposition withdrawn
5	Intervention Art. 105 EPC
6	Intervention admissible
7	Intervention inadmissible
8	Intervention deemed not to be filed
9	Intervention withdrawn

<snm>Name</snm>

<iid>EPO number of the Opponent</iid>

<adr>Address

<str>Street</str>

<city>Town</city>

<ctry>Country code</ctry>

</adr>

<B784>Attorney/Representative of the opponent

<snm>Name</snm>

<sfx>Suffix 'et al'</sfx>

<iid>EPO number of the Attorney/Agent</iid>

<adr>Address

<str>Street</str>

<city>Town</city>

<ctry>Country code</ctry>

</adr>

</B784>

</B781>

<B787>

<date>Date of rejection of the opposition procedure</date>

</B787>

<B788>

<date>Date of termination of the opposition procedure</date>

</B788>

</B780>



Example: “opposition(s) filed”

```
<B002EP>  
  <ep-chg-info>  
    <ep-chg idref="ep-chg0001" btag="B781" date="20041115" status="n"/>  
    <ep-chg idref="ep-chg0002" btag="B781" date="20041115" status="n"/>  
  </ep-chg-info>  
</B002EP>
```

```
<B780>  
  <B781 id="ep-chg0001">  
    <dnum>  
      <text>01</text>  
    </dnum>  
    <date>20041104</date>  
    <kind>1</kind>  
    <snm>BOREALIS GmbH</snm>  
    <iid>00112121</iid>  
    <adr>  
      <str>Danubiastrasse 21-25</str>  
      <city>2323 Schwechat-Mannswörth</city>  
      <ctry>AT</ctry>  
    </adr>  
    <B784>  
      <snm>VA TECH Patente GmbH & Co</snm>  
      <iid>00101692</iid>  
      <adr>  
        <str>Stahlstrasse 21 a</str>  
        <city>4020 Linz</city>  
        <ctry>AT</ctry>  
      </adr>  
    </B784>  
  </B781>  
  <B781 id="ep-chg0002">  
    <dnum>  
      <text>02</text>  
    </dnum>  
    <date>20041110</date>  
    <kind>0</kind>  
    <snm>Degussa Initiators GmbH & Co. KG</snm>  
    <iid>00167340</iid>  
    <adr>  
      <str>Postfach</str>  
      <city>82047 Pullach</city>  
      <ctry>DE</ctry>  
    </adr>  
  </B781>  
</B780>
```



Example: change on “inadmissible opposition”

```
<B002EP>
  <ep-chg-info>
    <ep-chg idref="ep-chg0001" btag="B781" date="20041117" status="r"/>
  </ep-chg-info>
</B002EP>

<B780>
  <B781 id="ep-chg0001">
    <dnum><text>01</text></dnum>
    <date>20000831</date>
    <kind>2</kind>
    <snm>Baumüller Anlagen-Systemtechnik GmbH & Co.</snm>
    <iid>00128290</iid>
    <adr>
      <str>Ostendstrasse 84</str>
      <city>90482 Nürnberg</city>
      <ctry>DE</ctry>
    </adr>
    <B784><snm>Götz, Georg, Dipl.-Ing.</snm>
      <sfx>et al</sfx>
      <iid>00059329</iid>
      <adr>
        <str>Götz Patent- und Rechtsanwälte, Färberstrasse 20</str>
        <city>90402 Nürnberg</city>
        <ctry>DE</ctry>
      </adr>
    </B784>
  </B781>
  <B781>
    <dnum><text>02</text></dnum>
    <date>20000901</date>
    <kind>0</kind>
    <snm>Heidelberger Druckmaschinen AG</snm>
    <iid>00010291</iid>
    <adr>
      <str>Kurfürsten-Anlage 52-60</str>
      <city>D-69115 Heidelberg</city>
      <ctry>DE</ctry>
    </adr>
    <B784><snm>Domenego, Bertrand</snm>
      <iid>00095861</iid>
      <adr>
        <str>Cabinet Lavoix 2, place d'Estienne d'Orves</str>
        <city>75441 Paris Cedex 09</city>
        <ctry>FR</ctry>
      </adr>
    </B784>
  </B781>
</B780>
```



Example: "deletion of filed opposition"

```
<B002EP>
  <ep-chg-info>
    <ep-chg idref="ep-chg0001" btag="B781" date="20041117" status="d"/>
  </ep-chg-info>
</B002EP>

<B780>
  <B781 id="ep-chg0001">
    <dnum>
      <text>01</text>
    </dnum>
    <kind>1</kind>
  </B781>
  <B781>
    <dnum>
      <text>02</text>
    </dnum>
    <date>20000901</date>
    <kind>0</kind>
    <snm>Heidelberger Druckmaschinen AG</snm>
    <iid>00010291</iid>
    <adr>
      <str>Kurfürsten-Anlage 52-60</str>
      <city>D-69115 Heidelberg</city>
      <ctry>DE</ctry>
    </adr>
    <B784>
      <snm>Domenego, Bertrand</snm>
      <iid>00095861</iid>
      <adr>
        <str>Cabinet Lavoix 2, place d'Estienne d'Orves</str>
        <city>75441 Paris Cedex 09</city>
        <ctry>FR</ctry>
      </adr>
    </B784>
  </B781>
</B780>
```



Example: “rejection of opposition procedure”:

```
<B002EP>
  <ep-chg-info>
    <ep-chg idref="ep-chg0001" btag="B787" date="20041118" status="n"/>
  </ep-chg-info>
</B002EP>

<B780>
  <B781>
    <dnum>
      <text>01</text>
    </dnum>
    <date>19990810</date>
    <kind>1</kind>
    <snm>VIPA Gesellschaft für Visualisierung u. Prozessautomatisierung mbH</snm>
    <iid>00096510</iid>
    <adr>
      <str>Wetterkreuz 27</str>
      <city>91058 Erlangen</city>
      <ctry>DE</ctry>
    </adr>
  <B784>
    <snm>Dreykorn-Lindner, Werner, Dipl.-Ing.</snm>
    <iid>00052675</iid>
    <adr>
      <str>Patentanwalt, Steinlachstrasse 2</str>
      <city>90571 Schwaig</city>
      <ctry>DE</ctry>
    </adr>
  </B784>
</B781>
  <B787 id="ep-chg0001">
    <date>20041005</date>
  </B787>
</B780>
```




The example below shows how the <ep-chg-info> is used when there is a change on 'Opponent data' and on 'Date of termination of the opposition procedure'.

```
<B002EP>
  <ep-chg-info>
    <ep-chg idref="ep-chg0001" btag="B781" date="20041117" status="r"/>
    <ep-chg idref="ep-chg0002" btag="B788" date="20041117" status="d"/>
  </ep-chg-info>
</B002EP>

<B780>
  <B781 id="ep-chg0001">
    <dnum>
      <text>01</text>
    </dnum>
    <date>19990810</date>
    <kind>1</kind>
    <snm>VIPA Gesellschaft für Visualisierung u. Prozessautomatisierung mbH</snm>
    <iid>00096510</iid>
    <adr>
      <str>Wetterkreuz 27</str>
      <city>91058 Erlangen</city>
      <ctry>DE</ctry>
    </adr>
    <B784>
      <snm>Dreykorn-Lindner, Werner, Dipl.-Ing.</snm>
      <iid>00052675</iid>
      <adr>
        <str>Patentanwalt, Steinlachstrasse 2</str>
        <city>90571 Schwaig</city>
        <ctry>DE</ctry>
      </adr>
    </B784>
  </B781>
  <B788 id="ep-chg0002">
    </B788>
</B780>
```



B790 - Licence(s)

When the licence has been registered for an EP patent application, the serial number & legal effect date of the licence as well as the name & address of the licensee will be stored in B790 group tag as follows:

```
<B790>
  <B791>
    <dnum>
      <text>Serial number of the licence</text>
    </dnum>
    <date>Date of legal effect of the licence</date>
    <kind>Kind of licence</kind>
    <snm>Name</snm>
    <iid>EPO number of the Licensee</iid>
    <adr>Address
      <str>Street</str>
      <city>Town</city>
      <ctry>Country code</ctry>
    </adr>
    <B796>Designated states concerned
      <ctry>Country code</ctry>
    </B796>
  </B791>
</B790>
```

Remarks:

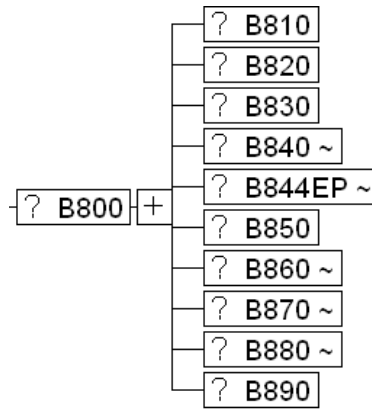
- The first two numbers of the serial number of a main licence and the next two numbers represent the serial number of a sub-licence.
- The maximum serial number for a main licence and a sub-licence is 10.
- For an exclusive licence the tag <kind> contains the code "E".

Example:

```
<B790>
  <B791>
    <dnum>
      <text>0100</text>
    </dnum>
    <date>20010806</date>
    <kind>E</kind>
    <snm>FILOS s.p.a.</snm>
    <iid>00007470</iid>
    <adr>
      <str>Viale Italia 33</str>
      <city>31040 Segusino</city>
      <ctry>IT</ctry>
    </adr>
    <B796>
      <ctry>ES</ctry><ctry>FR</ctry><ctry>IT</ctry>
    </B796>
  </B791>
</B790>
```



B800 - International Convention Data



B830 - Information concerning deposit of micro-organisms

<B830>
 <B831>EPO Declaration statement</B831>
</B830>

Example in “English”:

<B830>
 <B831>Declaration under Rule 32(1) EPC (expert solution)</B831>
</B830>

Example in “German”:

<B830>
 <B831>Erklärung nach Regel 32(1) EPÜ (Sachverständigenlösung)</B831>
</B830>

Example in “French”:

<B830>
 <B831> Déclaration conformément à la règle 32(1) CBE (solution de l'expert)</B831>
</B830>

Pre EPC 2000 was Rule 28 (4)

Pre-EPC 2000

<B830>
 <B831>Declaration under Rule 28(4) EPC (expert solution)</B831>
</B830>

Post EPC 2000

<B830>
 <B831>Declaration under Rule 32(1) EPC (expert solution)</B831>
</B830>



B840 - Designated contracting states

```
<B840>  
  <ctry>Country code</ctry>  
</B840>
```

Each state code is preceded by a tag ctry.

Example:

```
<B840>  
  <ctry>DE</ctry>  
  <ctry>DK</ctry>  
  <ctry>ES</ctry>  
  <ctry>NL</ctry>  
  <ctry>SE</ctry>  
</B840>
```

B844EP - States to which the application/patent is extended

```
<B844EP>States to which the application/patent is extended  
  <B845EP>Extended state data  
    <ctry>Country code</ctry>  
    <date>Payment date</date>  
    <B846EP>Date of withdrawal  
      <date>yyyymmdd</date>  
    </B846EP>  
  </B845EP>  
</B844EP>
```

Example:

```
<B844EP>  
  <B845EP>  
    <ctry>LT</ctry>  
    <date>19930708</date>  
  </B845EP>  
  <B845EP>  
    <ctry>LV</ctry>  
    <date>19930731</date>  
  </B845EP>  
  <B845EP>  
    <ctry>SI</ctry>  
    <date>19930531</date>  
    <B846EP>  
      <date>19940430</date>  
    </B846EP>  
  </B845EP>  
</B844EP>
```



B848EP - States to which the patent is validated

```
<B848EP>States to which the patent is validated
  <B849EP>Extended state data
    <ctry>Country code</ctry>
    <date>Payment date</date>
  </B849EP>
</B848EP>
```

Example:

```
<B848EP>
  <B849EP>
    <ctry>XX</ctry>
    <date>20140828</date>
  </B849EP>
</B848EP>
```

B860 - PCT application data

(86) Filing data of the PCT international application, i.e., international filing date, international application number, and, optionally, the language in which the published international application was originally filed; or, in the case of design patents, registration data of the Hague Agreement international application, i.e., international registration date and international registration number.

```
<B860>
  <B861>
    <dnum>
      <anum>PCT Application number</anum>
    </dnum>
    <date>PCT Date of filing</date>
  </B861>
  <B862>Filing language</B862>
</B860>
```

Example:

```
<B860>
  <B861>
    <dnum>
      <anum>GB1999004210</anum>
    </dnum>
    <date>19991213</date>
  </B861>
  <B862>en</B862>
</B860>
```



B870 - PCT publication data

(87) Publication data of the PCT international application, i.e., international publication date, international publication number, and, optionally, the language in which the international application is published

```
<B870>
  <B871>
    <dnum>
      <pnum>PCT Publication number</pnum>
    </dnum>
    <date>Publication date</date>
    <bnum>Issue number of the Gazette</bnum>
  </B871>
</B870>
```

Example:

```
<B870>
  <B871>
    <dnum>
      <pnum>WO2000039549</pnum>
    </dnum>
    <date>20000706</date>
    <bnum>200027</bnum>
  </B871>
</B780>
```

B880 - Publication of the deferred search report

```
<B880>
  <date>Publication date</date>
  <bnum>Issue number of the Bulletin</bnum>
</B880>
```

Date and issue of the EPO Bulletin in which the mention of the Search Report is published.

Note: For PCT applications, <date> tag (Publication date), contains the actual date of the international search report and <bnum> tag (Issue number of the Bulletin), contains '000000'.

Example:

```
<B880>
  <date>19910724</date>
  <bnum>000000</bnum>
</B880>
```



B920 - Opt-out data (UPC)

Pursuant to Article 83(3)(4) Agreement on a Unified Patent Court, a proprietor of or an applicant for a European patent may opt out from the exclusive competence of the Court and withdraw their opt out at any time. The opt out and its withdrawal take effect upon their entry in the UPC Register.

Disclaimer: Responsibility for the accuracy, completeness or quality of the data relating to the optouts lies entirely with the Unified Patent Court.

The date of registration of the opt-out & the date of withdrawal of the opt-out will be stored in the following XML structure :

```
<B920>
  <B921 case-number="UPC reference">
    <date>Date of registration of the opt-out</date>
  </B921>
  <B922 case-number="UPC reference">
    <date>Date of withdrawal of the opt-out</date>
  </B922>
</B920>
```

Examples:

- Registration of the opt-out (new)

```
<B002EP><ep-chg idref="ep-chg0001" btag=" B921" date="20171119" status="n"/>
</B002EP>
```

...

```
<B920>
  <B921 id="ep-chg0001" case-number=" App_525299/2023">
    <date>20170524</date>
  </B921>
</B920>
```

- Registration of the withdrawal of the opt-out (new)

```
<B002EP><ep-chg idref="ep-chg0001" btag=" B922" date="20171119" status="n"/>
</B002EP>
```

```
<B920>
  <B922 id="ep-chg0001" case-number="App_525853/2023">
    <date>20170607</date>
  </B922>
</B920>
```



According to Rule 5(5),(7) and Rule 5a(1) of the Rules of Procedure of the UPC, the proprietor of a European patent or the applicant for a published application for a European patent may record a correction of the opt-out/withdrawal of the opt-out or the removal of an unauthorised opt-out/unauthorised withdrawal of an opt out.

Disclaimer: Responsibility for the accuracy, completeness or quality of the data relating to the optouts lies entirely with the Unified Patent Court.

Consequently, the B921 & B922 tags may also have a status="r" (replaced) or status="d" (deleted). Examples:

- Correction of the opt-out (replaced)

```
<B002EP><ep-chg idref="ep-chg0001" btag=" B921" date="20171125" status="r"/>
</B002EP>
```

...

```
<B920>
  <B921 id="ep-chg0001" case-number="App_558999/2023">
    <date>20170524</date>
  </B921>
</B920>
```

- Correction of the withdrawal of the opt-out (replaced)

```
<B002EP><ep-chg idref="ep-chg0001" btag=" B922" date="20171126" status="r"/>
</B002EP>
```

..

```
<B920>
  <B922 id="ep-chg0001" case-number="App_525741/2023">
    <date>20170607</date>
  </B922>
</B920>
```

- Removal of the opt-out (deleted)

```
<B002EP><ep-chg idref="ep-chg0001" btag=" B921" date="20171125" status="d"/>
</B002EP>
```

...

```
<B920>
  <B921 id="ep-chg0001" case-number="UPC_APP_337164/2023">
    <date></date>
  </B921>
</B920>
```

- Removal of the withdrawal of the opt-out (deleted)

```
<B002EP><ep-chg idref="ep-chg0001" btag=" B922" date="20171127" status="d"/>
</B002EP>
```

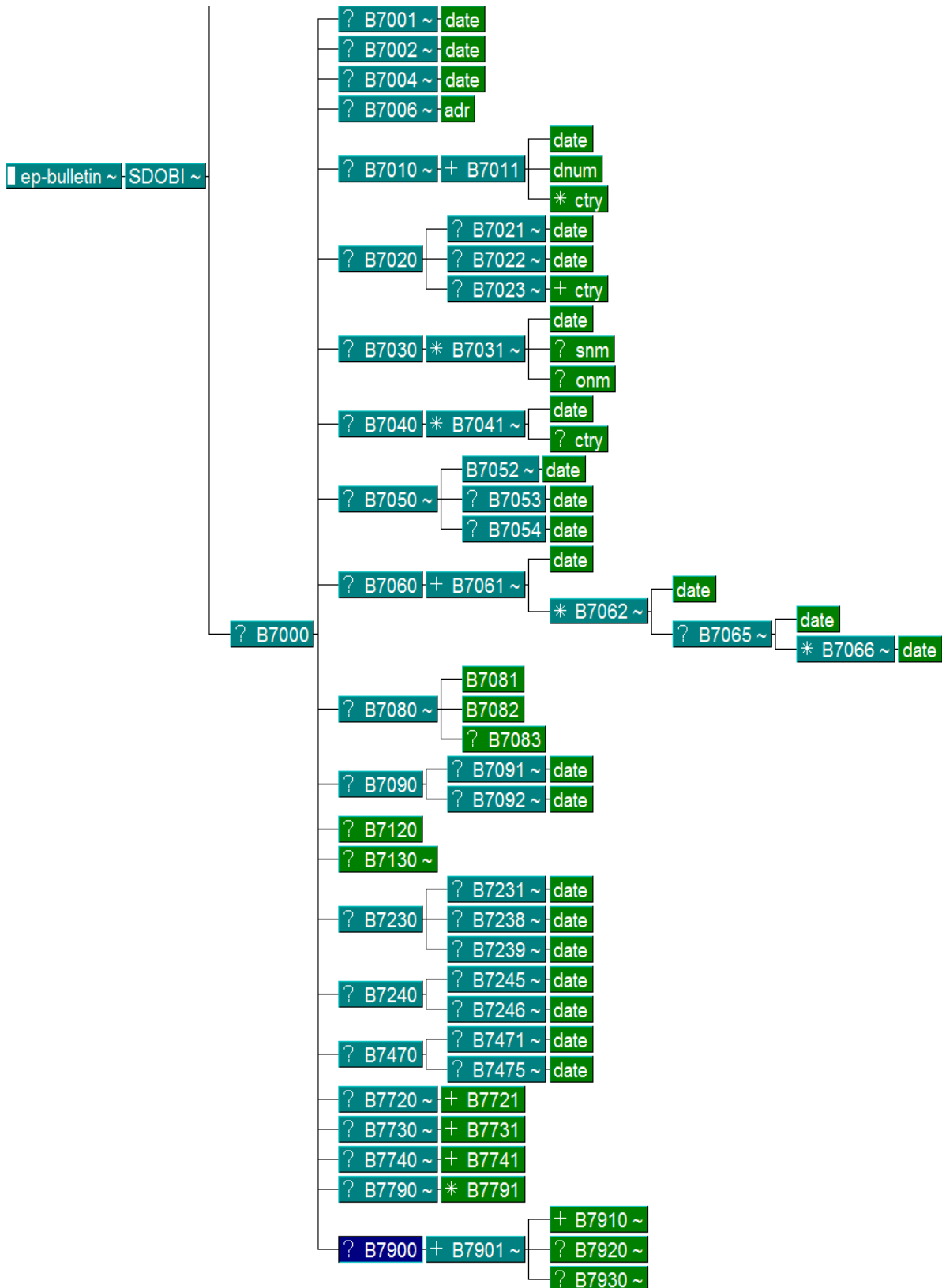
...

```
<B920>
  <B922 id="ep-chg0001" case-number="App_9761/2024">
    <date></date>
  </B922>
</B920>
```




B7000 – Granted patents with Unitary Patent Protection

The basic structure B7000 group in the DTD is as follows





B7001 - Date of filing for a unitary protection request

After the patent has been granted, the patentee may file a request for unitary protection for his EP patent but it has to be done within one month after the date of grant.

Example:

```
<B7001 id="ep-chg0001">  
  <date>20160724</date>  
</B7001>
```

B7002 - Decision date & purport of unitary protection request

The request will be examined and after a formal check, either positive or negative decision will be given. The date & purport it will be stored in the following XML structure:

```
<B7002 decision="value">  
  <date>20160724</date>  
</B7002>
```

Possible values in **decision** attribute:

- **P** : positive request
- **N** : negative request

Note. Only when the attribute decision contains the value "P" i.e. positive request, the rest of the UPP bibliographic data will be available e.g. date of registration, date of effect, participating member states, proprietor, etc.

Examples:

Positive decision

```
<B7002 id="ep-chg0004" decision="P">  
  <date>20160724</date>  
</B7002>
```

Negative decision

```
<B7002 id="ep-chg0004" decision="N">  
  <date>20160724</date>  
</B7002>
```



B7004 - Date of withdrawal of the unitary protection request

The patent proprietor may request to withdraw his request for unitary patent protection but this request has to be requested **before** the decision on the “request for unitary protection” has been approved.

Example:

```
<B7004 id="ep-chg0004">  
  <date>20160724</date>  
</B7004>
```

B7006 – Place of business

The original principal place of business on the date of filing of the application for the European patent as defined [R 16(1)(w), UPR]

Example:

Change in the place of business:

```
<B7006 id="ep-chg0006">  
  <adr>  
    <str>Michael-Steinherr Strasse 34 </str>  
    <city>D-8904 Friedberg</city>  
    <ctry>DE</ctry>  
  </adr>  
</B7006>
```

Deletion of the place of business:

```
<B7006 id="ep-chg0006">  
  <adr/>  
</B7006>
```



B7010 – Other rights & legal means of execution

When there is a legal means of execution on a EP patent with unitary effect, it will be stored in the following XML structure:

```
<B7010>
  <B7011>
    <date>Date of notification</date>
    <dnum><text>sequence number</text></dnum>
    (States concerned)
    <ctry>Country code </ctry>
    <ctry>Country code </ctry>
    ...
  </B7011>
</B7010>
```

Example:

```
<B7010>
  <B7011>
    <date>20120705</date>
    <dnum><text>02</text></dnum>
    <ctry>AT</ctry>
    <ctry>BE</ctry>
    <ctry>CH</ctry>
    <ctry>CY</ctry>
    <ctry>DE</ctry>
    <ctry>DK</ctry>
  </B7011>
</B7010>
```



B7021 – Date of registration

In case of a positive decision, the date of registration will contain the same date as the date of the decision on the unitary protection request.

Example:

```
<B7020>
  <B7021 id="ep-chg0020">
    <date>20160724</date>
  </B7021>
...
</B7020>
```

B7022 – Date of effect

The date of effect for the unitary protection and it should take effect retroactively in the participating Member States as from **the date of publication of the mention of the grant** of the European patent in the European Patent Bulletin.

Example:

```
<B7020>
...
  <B7022 id="ep-chg0021">
    <date>20160724</date>
  </B7022>
...
</B7020>
```

B7023 – Participating member states

The country codes for **only** of those participating Member States - at the date of decision - where the UPC has exclusive jurisdiction with regard to European Patents as **from date of registration of the unitary effect** as defined in Article 18(2) in the Regulation EU 1257/2012.

Example:

```
<B7020>
...
  <B7023 id="ep-chg0002">
    <ctry>AT</ctry>
    <ctry>BE</ctry>
    <ctry>DE</ctry>
...
  </B7023>
</B7020>
```



B7030 – Licensing commitments

The licensing commitments undertaken by the proprietor of the European patent with unitary effect in international standardisation bodies where the proprietor requested their registration will be stored as follows:

XML structure:

```
<B7030>
  <B7031 sequence="1">
    <date>Date of registration</date>
    <onm>Name of the standardisation body</onm>
  </B7031>
</B7030>
```

Note: the value in the **sequence** attribute is a sequential number

B7040 – Information communicated by other authorities

The information communicated to the European Patent Office by the central industrial property offices, courts and other competent authorities of the participating Member States will be stored as follows:

XML structure:

```
<B7040>
  <B7041 sequence="1">
    <date>Date of registration</date>
    <ctry>Country code</ctry>
  </B7041>
</B7040>
```

Note: the value in the **sequence** attribute is a sequential number



B7050 – Renewal fees

As defined in R 16(1)(n), the data to the payment of renewal fees of an EP patent with unitary effect, including, where applicable, data on the payment of an additional fee will be stored on B7050 group tag. It contains the data of the **most recent renewal year**.

Example:

Renewal fees without penalty:

```
<B7050 id="ep-chg0011">  
  <B7052 ordinal-year="01"><date>20161015</date></B7052>  
</B7050>
```

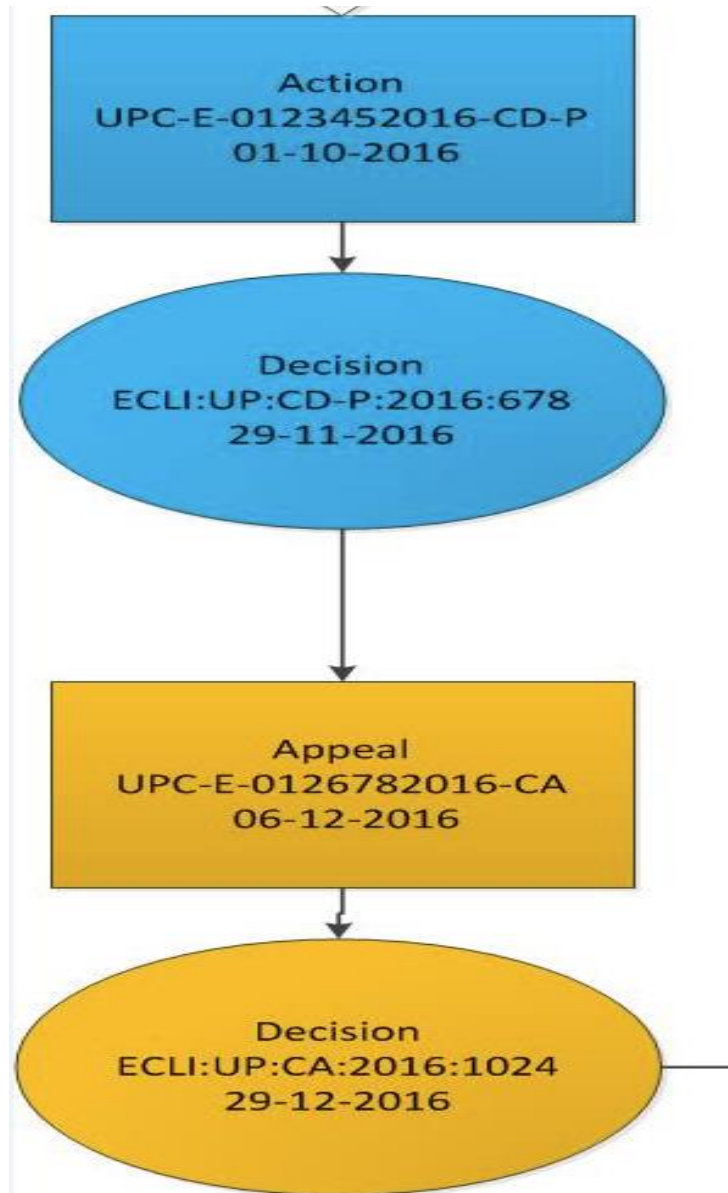
Renewal fees with penalty:

```
<B7050 id="ep-chg0011">  
  <B7052 ordinal-year="01"><date>20161215</date></B7052>  
  <B7053><date>20161010</date></B7053>  
  <B7054><date>20161215</date></B7054>  
</B7050>
```



B7060 – Proceedings before the UPC – actions, action-decisions, appeals, appeal-decisions

When a patent proprietor does not agree with a EPO decision related to an UPP, then he has to file an action before UPC where a decision will be given. Should this decision not satisfy the patent proprietor, he may file an appeal at the UPC “Court of Appeal” who will give a final decision. Here is an example of the process flow:





The information communicated to the European Patent Office concerning proceedings before the Unified Patent Court will be stored in the following XML structure:

```
<B7060>
  <B7061 sequence="n"
    action-type="Action code" case-number="UPC case number reference"
    spc-ctry="SPC country code" spc-number="SPC number">
    <date>Date of filing of the action at the UPC</date>

    <B7062 sequence="n"
      reference="European Case Law Identifier" decision="Decision code">
      <date>Date of decision given by the UPC </date>
      <B7065 sequence="n" case-number="UPC reference">
        <date>Date of filing of the Appeal</date>
        <B7066 sequence="n"
          reference="European Case Law Identifier"
          decision="Decision code">
          <date>Date of decision of the Appeal</date>
        </B7066>
      </B7065>
    </B7062>
  </B7061>
</B7060>
```

Possible values on the "**Action code**":

- C : Counterclaims revocation
- D : Damages
- E : EPO decision
- I : Infringement_action
- L : Compensation for licence
- N : Non_infringement
- P : Protective measures and injunctions
- R : Revocation action
- U : Use if invention prior to grant



Possible values of the UPC “**Decision code**”:

1st Instance	Code	Patent	SPC	Action against EPO	Meaning
	ACTION_REJECTED	x	x	x	Action rejected as inadmissible
	PROCEEDING_TERMINATED	x	x	x	No decision on the merits and case written-off
	INFRINGED	x	x		Patent(s)/SPC(s) is(are) infringed
	NOT_INFRINGED	x	x		Patent(s)/SPC(s) is(are) not infringed
	REVOKED_IN_PART	x			Patent(s) is(are) revoked partially
	REVOKED	x			Patent(s) is(are) revoked completely
	VALID_BUT_AMENDED	x			Patent(s) is(are) valid but amended
	VALID	x	x		Patent(s)/SPC(s) is(are) valid and not amended
	REVERSED			x	EPO decision on unitary patent/unitary effect reversed
	CONFIRMED			x	EPO decision on unitary patent/unitary effect confirmed
	INVALID		x		SPC(s) is(are) invalid
Appeal	Code	Patent	SPC	Action against EPO	Meaning
	APPEAL_REJECTED	x	x	x	Appeal rejected as <i>inadmissible</i>
	PROCEEDING_TERMINATED	x	x	x	No decision on the merits and case written-off
	INFRINGED	x	x		Patent(s)/SPC(s) is(are) infringed
	NOT_INFRINGED	x	x		Patent(s)/ SPC(s) is(are) not infringed
	REVOKED_IN_PART	x			Patent(s) is(are) revoked partially
	REVOKED	x			Patent(s) is(are) revoked completely
	VALID		x		Patent(s)/SPC is(are) valid
	INVALID		x		SPC(s) is(are) invalid
	APPEAL_ALLOWED			x	Appeal against decision of court of first instance concerning action against EPO decisions allowed
	REFERRED_TO_FIRST_INSTANCE	x	x		Court of appeal refers the action back to the court of first instance for decision or retrial



Examples:

1. Action filed at the UPC:

```
<B7060>  
  <B7061 id="ep-chg0016" sequence="1" action-type="E" case-number ="UPC_17/2016">  
    <date>20161001</date>  
  </B7061>  
</B7060>
```

2. Action filed at the UPC on SPC

```
B7060>  
  <B7061 sequence="1" action-type="I" case-number="ACT_642/2024"  
    spc-ctry="FR" spc-number="22C1028">  
    <date>20240122</date>  
  </B7061>  
</B7060>
```

3. Decision on an action previously filed at UPC:

```
<B7060>  
  <B7061 sequence="1" action-type="E" case-number ="UPC_17/2016">  
    <date>20161001</date>  
    <B7062 id="ep-chg0017" sequence="1"  
      reference="ECLI:UP:CD_P:2016-678"  
      decision="ACTION_REJECTED">  
        <date> 20161129</date>  
    </B7062>  
  </B7061>  
</B7060>
```



4. Appeal filed on a decision given by the UPC:

```
<B7060>
  <B7061 sequence="1" action-type="E" case-number = "UPC_17/2016">
    <date>20161001</date>
    <B7062 sequence="1"
      reference="ECLI:UP:CD_P:2016-678"
      decision="ACTION_REJECTED">
        <date> 20161129</date>
        <B7065 id="ep-chg0018" sequence="2"
          case-number="UPC-E-012678/2016-CA">
            <date> 20161206</date>
        </B7065>
      </B7062>
    </B7061>
  </B7060>
```

5. Decision on a filed appeal:

```
<B7060>
  <B7061 sequence="1" action-type="I" case-number = "UPC_17/2016">
    <date>20161001</date>
    <B7062 id="ep-chg0017" sequence="1"
      reference="ECLI:UP:CD_P:2016-678" decision="INFRINGED">
        <date> 20161129</date>
        <B7065 sequence="2" case-number="UPC-E-012678/2016-CA ">
          <date>20161206</date>
          <B7066 id="ep-chg0019" sequence="1"
            reference="ECLI:UP:CA:2016:1024"
            decision=" NOT_INFRINGED">
              <date>20161229</date>
          </B7066>
        </B7065>
      </B7062>
    </B7061>
  </B7060>
```



B7080 – Public notification

When there is a public notification for an EP patent with unitary effect, this information will be stored on B7080 group tag.

XML structure:

```
<B7080>
  <B7081>Inspection place
    Code Meaning
    • 1: The Hague
    • 2: Munich
    • 3: Berlin
  </B7081>
  <B7082>Addressee
    <snm>Name</snm>
    <iid>EPO number</iid>
    <adr>Address
      <str>Street</str>
      <city>City, town</city>
      <ctry>Country code</ctry>
    </adr>
  </B7082>
  <B7083>Free text</B7083>
</B7080>
```

Example:

```
<B7080 id="ep-chg0001">
  <B7081>1</B7081>
  <B7082>
    <snm>Jung, Dae-Hoon</snm>
    <iid>101528504</iid>
    <adr>
      <str>201, 115-4, Silheung-dong Geumcheon-gu</str>
      <city>Seoul 423-746</city>
      <ctry>KR</ctry>
    </adr>
  </B7082>
  <B7083>.....</B7083>
</B7080>
```



B7091 – Date of intention to license

In order to promote and facilitate the economic exploitation of an invention protected by a European patent with unitary effect, the proprietor of that patent should be able to offer it to be licensed in return for appropriate consideration. To that end, the patent proprietor should be able to file a statement with the EPO that he is prepared to grant a license in return for appropriate consideration. In that case, the patent proprietor should benefit from a reduction of the renewal fees as from the EPO's receipt of such statement.

Example:

Request to license

```
<B7090>  
  <B7091 id="ep-chg0015">  
    <date>20161124</date>  
  </B7091>  
</B7090>
```

B7092 – Date of the withdrawal of the intention to license

The proprietor may withdraw his intention to license his patent with unitary protection.

Example:

Withdraw the request to license

```
<B7090>  
  <B7091>  
    <date>20161124</date>  
  </B7091>  
  <B7092 id="ep-chg0016">  
    <date>20161223</date>  
  </B7092>  
  
</B7090>
```



B7120 – Revocation on request

According to Regulation (EU) No 1257/2012 on page L 36/4 , Article 2 mentions that the date of revocation under Article 105a should be available for patents with unitary effect. Therefore, this event will be stored on B7120 group tag. It will be stored in the following XML structure:

```
<B7120>
  <B7121>
    <date>date of request</date>
  </B7121>
  <B7122>kind of revocation</B7122>
  <B7123>code decision of the revocation on request</B7123>
  <B7124><date>date of payment</date></B7124>
  <B7126><date>date of dispatch of the decision</date></B7126>
  <B7127><date>date of legal effect</date> </B7127>
</B7120>
```

Possible values on the “**kind of revocation:**”

- 01 : filed during opposition period
- 02 : filed after opposition period

Possible values on the “**code decision on revocation request:**”

- 01 : admissible
- 02 : inadmissible
- 03 : deemed not filed

Example:

```
<B7120>
  <B7121>
    <date>20151117</date>
  </B7121>
  <B7122>02</B7122>
  <B7123 id="ep-chg0001">01</B7123>
  <B7124>
    <date>20151118</date>
  </B7124>
  <B7126>
    <date>20151125</date>
  </B7126>
  <B7127 id="ep-chg0002">
    <date>20151230</date>
  </B7127>
</B7120>
```



B7231 – Date of request for re-establishment of rights

The proprietor may file a request re-establishment of rights for the following reasons:

- he filed a request for unitary effect was filed too late (later than one month after the date of grant)
- he has been notified that his patent with unitary effect is about to lapse

This event will be stored in B7231 tag.

Examples:

*Request for re-establishment of rights **due to a late filing on the request for unitary effect**, then kind attribute contains 'REES **UREQ**'*

```
<B7230>  
  <B7231 id="ep-chg0015" kind="REES UREQ">  
    <date>20150629</date>  
  </B7231>  
</B7230>
```

*Request for re-establishment of rights **due to a notification of lapse** (in this example: because 4th renewal year is not yet paid), then the kind attribute contains 'REES **UDLA**'*

```
<B7230>  
  <B7231 id="ep-chg0015" kind="REES UDLA RFEE04">  
    <date>20161124</date>  
  </B7231>  
</B7230>
```




B7238 – Date of decision & purport for re-establishment of rights

The request for re-establishment of rights will be examined and the decision will be communicated to the proprietor. This event will be stored in B7238 tag and the purport will be stored in its **decision** attribute where the possible values are:

- '2' : rejected
- '3' : accepted

Example:

Accepted request for re-establishment of rights **due to a late filing on the request for unitary effect**, then attribute **kind** in B7231 tag contains 'REES **UREQ**' & the attribute **decision** in B7238 tag contains the value '3'

```
<B7230>
  <B7231 kind="REES UREQ">
    <date>20150629</date>
  </B7231>
  <B7238 decision="3">
    <date>20160126</date>
  </B7238>
</B7230>
```

Accepted request for re-establishment of rights **due to a notification of lapse** (in this example: because 4th renewal year was not yet paid) the attribute **kind** in B7231 tag contains 'REES **UDLA**' & the attribute **decision** in B7238 tag contains the value '3'

```
<B7230>
  <B7231 kind="REES UDLA RFEE04">
    <date>20161124</date>
  </B7231>
  <B7238 id="ep-chg0015" decision="3">
    <date>20161124</date>
  </B7238>
</B7230>
```



B7239 – Date of revocation

According to Regulation (EU) No 1257/2012 on page L 36/4 , Article 2 mentions that date of revocation after an opposition procedure should be available for patents with unitary effect. Therefore, this event will be stored on B7239 tag.

Example:

```
<B7230>  
  <B7239 id="ep-chg0001">  
    <date>20161031</date>  
  </B7239>  
</B7230>
```

B7245 – Date of suspension (Rule 14) / Interruption (Rule 142) of proceedings

When there is a suspension or an interruption on a EP patent with unitary effect, the date will be stored in B7245 tag and the reason in the **kind** attribute which may contain the following values:

- '2' : Applicant died (Rule 142(1)(a))
- '3' : Legal incapacity of applicant (Rule 142(1)(a))
- '4' : Legal prevention (Rule 142(1)(b))
- '5' : Representative died (Rule 142(1)(c))
- '6' : Legal incapacity of representative (Rule 142(1)(c))
- '7' : Bankruptcy of the representative (Rule 142(1)c)

Example:

```
<B7240>  
  <B7245 id=ep-chg0001 kind="2">  
    <date>20160724</date>  
  </B7245>  
</B7240>
```

B7246 – Date of resumption of proceedings (Rule 14 / Rule 142)

When the suspension or interruption is resumed, the date of resumption will be stored in B7246 tag.

Example:

```
<B7240>  
  <B7246 id="ep-chg0001">  
    <date>20160831</date>  
  </B7246>  
</B7240>
```



B7720 – Inventors

According to the UPR Rule 16(1)(i), the inventors have to be included in the UPP chapter. The B7720 group tag will contain the same data as B720 group tag.

Example:

```
<B7720 id="ep-chg0001">  
  <B7721>  
    <snm>Nickel, Norbert H.</snm>  
    <adr>  
      <str>2 Ringslebenstrasse, Apt. 229</str>  
      <city>12353 Berlin</city>  
      <ctry>DE</ctry>  
    </adr>  
  </B7721>  
  <B7721>  
    <B7725>  
      <text>The other inventors have agreed to waive their entitlement to  
      designation.</text>  
    </B7725>  
  </B7721>  
</B7720>
```



B7471 – Date of dispatch of the lapse situation

When the renewal fee is not paid in due time, a letter is sent to the proprietor notifying him that the patent is about to be lapsed. This event will be stored in B7471 tag where the attribute **kind** contains the reason code. The possible values are:

RFEE nn	Renewal fee not paid for year nn
PBKFEE	When the proprietor has requested and received the compensation for translation costs but it turns out that it was done on basis of a false declaration, the proprietor will be invited to pay back the compensation costs together with the first following due renewal fee. When the proprietor fails to pay these compensation costs, it will lead to a notification of lapse where attribute kind contains this value.

Patent with unitary effect where a notification of lapse has been sent because the renewal fee for the 2nd year has not been paid

```
<B7471 id="ep-chg0011" kind="RFEE02">  
  <date>20161220</date>  
</B7471>
```

Patent with unitary effect where a notification of lapse has been sent because the compensation for translation costs have not been paid back by the proprietor

```
<B7471 kind="PBKFEE">  
  <date>20151008</date>  
</B7471>
```

B7475 – Date of legal effect of the lapse

After all the delays for renewal fees have expired, the patent with unitary effect will be set as "lapsed" and the a date of legal effect will be stored in B7475 tag where the attribute **kind** contains the reason code. The possible values are:

- 01 : Renewal fee not paid
- 02 : Compensation fee not paid back
- 03 : Renewal & compensation fees not paid
- 20 : end 20th year

Example:

EP patent with unitary effect lapsed at the end of 20th year

```
<B7475 id="ep-chg0012" kind="20">  
  <date>20161124</date>  
</B7475>
```



B7730 – Proprietors of UPP

As described in the UPR Rule 16(1)(h), particulars of the proprietor of the European patent with unitary effect as provided for in Rule 41, paragraph 2(c), EPC.

Note. In case of transfer of rights, the tag B7738 will be inserted with '00000000' in the date tag

Examples:

Change of address of the proprietor of UPP

```
<B7730 id="ep-chg009">
  <B7731>
    <snm>Novartis AG</snm>
    <iid>100189475</iid>
    <irf>N3-87</irf>
    <adr>
      <str>Lichtstrasse 35</str>
      <city>4056 Basel</city>
      <ctry>CH</ctry>
    </adr>
  </B7731>
</B7730>
```

Change due to a transfer of rights of the proprietor of UPP

```
<B7730 id="ep-chg010">
  <B7731>
    <snm>Novartis AG</snm>
    <iid>100189475</iid>
    <irf>N3-87</irf>
    <adr>
      <str>Lichtstrasse 35</str>
      <city>4056 Basel</city>
      <ctry>CH</ctry>
    </adr>
    <B7738>
      <date>00000000</date>
    </B7738>
  </B7731>
</B7730>
```



B7740 – Representative of the proprietors of UPP

As described in the UPR Rule 16(1)(c), UPR - (c) particulars of the representative of the proprietor of the European patent as provided for in Rule 41, paragraph 2(d), EPC.

Example:

```
<B7740 id="ep-chg0010">  
  <B7741>  
    <snm>Zinkler, Franz </snm>  
    <sfx>et al</sfx>  
    <iid>101189957</iid>  
    <adr>  
      <str>Patentanwälte Schoppe, Postfach 246</str>  
      <city>82043 Pullach </city>  
      <ctry>DE</ctry>  
    </adr>  
  </B7741>  
</B7740>
```



B7790 – Licence registration

When the licence has been registered for an EP patent with unitary effect, the serial number & legal effect date of the licence as well as the name & address of the licensee will be stored in B790 group tag.

Example:

```
<B7790 id="ep-chg0020">  
  <B7791>  
    <dnum>  
      <text>0101</text>  
    </dnum>  
    <date>20110801</date>  
    <snm>Orbital 2 Limited</snm>  
    <iid>101243244</iid>  
    <adr>  
      <str>Morva Griggs Close</str>  
      <city>Chipping Campden Gloucestershire GL55 6BJ</city>  
      <ctry>GB</ctry>  
    </adr>  
    <B7796>  
      <ctry>AT</ctry><ctry>BE</ctry>  
    </B7796>  
  </B7791>  
</B7790>
```



B7910 - Limitation procedure - Initial filing

According to Regulation (EU) No 1257/2012 on page L 36/4 , Article 2 mentions that the limitation data under Article 105a should be available for patents with unitary effect. Consequently the B091EP tag data is replicated in the B7910 group tag with the following XML structure:

```
<B7901 limitation-sequence="n">          Limitation sequence number
  <B7910>
    <B7911><date>Date of filing</date></B7911>
    <B7912>Limitation kind</B7912>
    <B7913>Decision code</B7913>
    <B7914><date>Date of payment</date></B7914>
  </B7910>
</B7901>
```

Possible values on the "**Limitation kind**:"

- 01 : filed during opposition period
- 02 : filed after opposition period

Possible values on the "**Decision code**:"

- 01 : admissible
- 02 : inadmissible
- 03 : deemed not filed
- 04: deemed not filed, opposition pending/filed
- 05: withdrawn

Example:

```
<B7900>
  <B7901 limitation-sequence="1">
    <B7910 id="ep-chg0003">
      <B7911><date>20080914</date></B7911>
      <B7912>01</B7912>
      <B7913>01</B7913>
    </B7910>
  </B7901>
</B7900>
```




B7920 - Limitation procedure – Request rejected

Same as for B7910 group tag, when the request for limitation for a patent with unitary effect is rejected, the B092EP tag data is replicated in the B7920 group tag and this is the XML structure:

```
<B7920>    Rejection of limitation
    <B7921>Kind of rejection</B7921>
    <B7922><date>Decision despatched on</date><B7922>
    <B7923><date>Legal effect on</date><B7923>
</B7920>
```

Possible values on the “**Kind of rejection**”:

- 01 : substantive refusal
- 02 : inadmissible for formal reasons (R.94)
- 03 : no (late) reply to subset report
- 04 : RALL (request allowed) requirements not fulfilled

Example:

```
<B7900>
  <B7901 limitation-sequence="1">
    <B7910>
      <B7911><date>20080914</date>
      </B7911><B7912>01</B7912>
      <B7913>01</B7913>
    </B7910>

    <B7920 id="ep-chg0004">
      <B7921>02</B7921>
      <B7922><date>20080612</date></B7922>
      <B7923><date>20090808</date></B7923>
    </B7920>

  </B7901>
</B7900>
```



B7930 - Limitation procedure – Request allowed

Same as for B7920 group tag, when the request for limitation for a patent with unitary effect has been allowed the B093EP tag data is replicated in the B7930 group tag and this is the XML structure:

```
<B7930> Request allowed
  <B7931><date>Despatched on</date></B7931>
  <B7932><date>Translation received on</date></B7932>
  <B7933><date>Full payment received on</date></B7933>
</B7930>
```

Example:

```
<B7900>
  <B7901 limitation-sequence="1">
    <B7910>
      <B7911><date>20080914</date>
      </B7911><B7912>01</B7912>
      <B7913>01</B7913>
    </B7910>

    <B7930 id="ep-chg0004">
      <B7931><date>20150929</date></B7931>
      <B7932><date> 20151008</date></B7932>
      <B7933><date> 20151008</date></B7933>
    </B7930>

  </B7901>
</B7900>
```



Character set

Introduction

Many EPO computer systems and projects process data on the EPO's IBM mainframe - one of the code pages on this system is IBM EBCDIC (Extended Binary Coded Decimal Interchange Code) Code Page 500. This is an internationally recognised code page for EBCDIC. As mentioned at the beginning we extract EBD data from the EPASYS system which stores data in Code Page 500:

HEX DIGITS 1ST → 2ND ↓	4-	5-	6-	7-	8-	9-	A-	B-	C-	D-	E-	F-
-0	(SP) SP010000	& SM030000	- SP100000	ø LO610000	Ø LO620000	° SM190000	μ SM170000	¢ SC040000	{ SM110000	}	\ SM070000	0 ND100000
-1	(RSP) SP300000	é LE110000	/ SP120000	É LE120000	a LA010000	j LJ010000	~ SD190000	£ SC020000	A LA020000	J LJ020000	÷ SA060000	1 ND010000
-2	â LA150000	ê LF150000	Â LA160000	Ê LE160000	b LB010000	k LK010000	s LS010000	¥ SC050000	B LB020000	K LK020000	S LS020000	2 ND020000
-3	ä LA170000	ë LE170000	Ä LA180000	Ë LE180000	c LC010000	l LL010000	t LT010000	· SD630000	C LC020000	L LL020000	T LT020000	3 ND030000
-4	â LA130000	è LF130000	À LA140000	È LE140000	d LD010000	m LM010000	u LU010000	© SM520000	D LD020000	M LM020000	U LU020000	4 ND040000
-5	á LA110000	í LI110000	Á LA120000	Í LI120000	e LE010000	n LN010000	v LV010000	§ SM240000	E LE020000	N LN020000	V LV020000	5 ND050000
-6	ã LA190000	î LI190000	Ã LA200000	Ï LI200000	f LF010000	o LO010000	w LW010000	¶ SM250000	F LF020000	O LO020000	W LW020000	6 ND060000
-7	â LA270000	ï LI170000	À LA280000	Ï LI180000	g LG010000	p LP010000	x LX010000	¼ NF040000	G LG020000	P LP020000	X LX020000	7 ND070000
-8	ç LC410000	ì LI130000	Ç LC420000	Ì LI140000	h LH010000	q LQ010000	y LY010000	½ NF010000	H LH020000	Q LQ020000	Y LY020000	8 ND080000
-9	ñ LN190000	ß LS610000	Ñ LN200000	` SD130000	i LI010000	r LR010000	z LZ010000	¾ NF050000	I LI020000	R LR020000	Z LZ020000	9 ND090000
-A	[SM060000] SM080000	¡ SM650000	: SP130000	« SP170000	» SM210000	¡ SP030000	¬ SM660000	̄ (SHY) SP320000	1 ND011000	2 ND021000	3 ND031000
-B	. SP110000	\$ SC030000	, SP080000	# SM010000	» SP180000	º SM200000	¿ SP160000	SM130000	ô LO150000	û LU150000	Ô LO160000	Û LU160000
-C	< SA030000	* SM040000	% SM020000	@ SM050000	ø LD630000	æ LA510000	Ð LD620000	ˉ SM150000	ö LO170000	ü LU170000	Ö LO180000	Ü LU180000
-D	(SP060000) SP070000	_ SP090000	' SP050000	ý LY110000	ÿ SD410000	Ý LY120000	ˆ SD170000	ò LO130000	ù LU130000	Ò LO140000	Ù LU140000
-E	+ SA010000	; SP140000	> SA050000	= SA040000	þ LT630000	Æ LA520000	Þ LT640000	˘ SD110000	ó LO110000	ú LU110000	Ó LO120000	Ú LU120000
-F	! SP020000	^ SD150000	? SP150000	" SP040000	± SA020000	☒ SC010000	® SM530000	× SA070000	õ LO190000	ÿ LY170000	Õ LO200000	€ (EO)

Code Page 00500

In re-designing the EPO publication system to use XML we decided to convert this code page to Unicode UTF-8 as it is now common for all XML based systems. Unicode has a vast number of characters but for the EBD we need only use those with equivalents in Code page 500.

The following table is a description of each code together with its graphical representation.

Note: for the full text of patent documents we will use many more Unicode characters than those given below.



Unicode Table 1 – C0 Controls and Basic Latin (Mostly old ASCII/IBM code pages)

Character	Unicode	500	Description
<control>	000A	15	New line control code; Line Feed
<control>	000C	0C	New page control code; Form Feed
<control>	000D	0D	Carriage return control code
<control>	001B	27	Escape control code
<control>	0020	40	Space
!	0021	4F	Exclamation mark
"	0022	7F	Quotation mark
#	0023	7B	Numeral sign
\$	0024	5B	Dollar sign
%	0025	6C	Percent sign
&	0026	50	Ampersand use &#amp;
'	0027	7D	Apostrophe
(0028	4D	Left, opening parenthesis
)	0029	5D	Right, close parenthesis
*	002A	5C	Asterisk
+	002B	4E	Plus
,	002C	6B	Comma
-	002D	60	Hyphen or minus
.	002E	4B	Full stop, Period
/	002F	61	Solidus, slash
0	0030	F0	Digit 0
1	0031	F1	Digit 1
2	0032	F2	Digit 2
3	0033	F3	Digit 3
4	0034	F4	Digit 4
5	0035	F5	Digit 5
6	0036	F6	Digit 6
7	0037	F7	Digit 7
8	0038	F8	Digit 8
9	0039	F9	Digit 9
:	003A	7A	Colon
;	003B	5E	Semicolon
<	003C	4C	Less-than sign use &lt;
=	003D	7E	Equals
>	003E	6E	Greater than sign use &gt;
?	003F	6F	Question mark



Character	Unicode	500	Description
@	0040	7C	Commercial at
A	0041	C1	Capital A
B	0042	C2	Capital B
C	0043	C3	Capital C
D	0044	C4	Capital D
E	0045	C5	Capital E
F	0046	C6	Capital F
G	0047	C7	Capital G
H	0048	C8	Capital H
I	0049	C9	Capital I
J	004A	D1	Capital J
K	004B	D2	Capital K
L	004C	D3	Capital L
M	004D	D4	Capital M
N	004E	D5	Capital N
O	004F	D6	Capital O
P	0050	D7	Capital P
Q	0051	D8	Capital Q
R	0052	D9	Capital R
S	0053	E2	Capital S
T	0054	E3	Capital T
U	0055	E4	Capital U
V	0056	E5	Capital V
W	0057	E6	Capital W
X	0058	E7	Capital X
Y	0059	E8	Capital Y
Z	005A	E9	Capital Z
[005B	4A	Left, open square bracket
\	005C	E0	Back slash; Reverse solidus
]	005D	5A	Right, close square bracket
^	005E	5F	Circumflex
_	005F	6D	Underscore; Low Line
`	0060	79	Grave accent
a	0061	81	Small a
b	0062	82	Small b
c	0063	83	Small c
d	0064	84	Small d
e	0065	85	Small e
f	0066	86	Small f



Character	Unicode	500	Description
g	0067	87	Small g
h	0068	88	Small h
i	0069	89	Small i
j	006A	91	Small j
k	006B	92	Small k
l	006C	93	Small l
m	006D	94	Small m
n	006E	95	Small n
o	006F	96	Small o
p	0070	97	Small p
q	0071	98	Small q
r	0072	99	Small r
s	0073	A2	Small s
t	0074	A3	Small t
u	0075	A4	Small u
v	0076	A5	Small v
w	0077	A6	Small w
x	0078	A7	Small x
y	0079	A8	Small y
z	007A	A9	Small z
{	007B	C0	Left, open curly brace
	007C	BB	Vertical line, bar
}	007D	D0	Right, close curly brace
~	007E	A1	Tilde



Unicode Table 2 – C1 Controls and Latin-1 Supplement - ISO 8859

...1	Unicode	500	Description
0	0030	F0	Slash zero [Use normal zero]
	00A0	41	No-break space
¡	00A1	AA	Inverted exclamation mark
¢	00A2	B0	Cent sign
£	00A3	B1	Pound sign
¤	00A4	9F	Currency sign
¥	00A5	B2	Yen sign
¦	00A6	6A	Broken vertical bar
§	00A7	B5	Section sign
¨	00A8	BD	Diaeresis
©	00A9	7C	Copyright sign
ª	00AA	9A	Ordinal indicator, feminine
«	00AB	8A	Left-pointing double quotation mark = Left pointing guillemet, chevrons
¬	00AC	BA	Not sign
-	00AD	CA	Soft-hyphen
®	00AE	AF	Registered trade mark
-	00AF	BC	Macron
°	00B0	90	Degree sign
±	00B1	8F	Plus minus
²	00B2	EA	Superscript two
³	00B3	FA	Superscript three
´	00B4	BE	Acute accent
µ	00B5	A0	Micro sign
¶	00B6	B6	Paragraph sign; Pilcrow sign
·	00B7	B3	Centre dot
¸	00B8	9D	Cedilla
¹	00B9	DA	Superscript 1
º	00BA	9B	Ordinal indicator, masculine
»	00BB	8B	Right pointing double angle quotation mark
¼	00BC	B7	Quarter
½	00BD	B8	Half
¾	00BE	B9	Three quarters
¿	00BF	AB	Inverted question mark
À	00C0	64	Capital A grave



...1	Unicode	500	Description
Á	00C1	65	Capital A acute
Â	00C2	62	Capital A circumflex
Ã	00C3	63	Capital A tilde
Ä	00C4	63	Capital A umlaut
Å	00C5	67	Capital A over circle
Æ	00C6	9E	Capital AE
Ç	00C7	68	Capital C cedilla
È	00C8	74	Capital E grave
É	00C9	71	Capital E acute
Ê	00CA	72	Capital E circumflex
Ë	00CB	73	Capital E umlaut
Ì	00CC	78	Capital I grave
Í	00CD	75	Capital I acute
Î	00CE	76	Capital I circumflex
Ï	00CF	77	Capital I umlaut
Ð	00D0	AC	Capital ETH, Icelandic
Ñ	00D1	69	Capital N tilde
Ò	00D2	ED	Capital O grave
Ó	00D3	EE	Capital O acute
Ô	00D4	EB	Capital O circumflex
Õ	00D5	EF	Capital O tilde
Ö	00D6	EC	Capital O umlaut
×	00D7	BF	Multiply sign [See also U2715]
Ø	00D8	80	Capital O, slash
Ù	00D9	FD	Capital U grave
Ú	00DA	FE	Capital U acute
Û	00DB	FB	Capital U circumflex
Ü	00DC	FC	Capital U umlaut
Ý	00DD	AD	Capital Y acute
Þ	00DE	AE	Capital Thorn, Icelandic
ß	00DF	59	Small s sharp,
à	00E0	44	Small a grave
á	00E1	45	Small a acute
â	00E2	42	Small a circumflex
ã	00E3	46	Small a tilde
ä	00E4	43	Small a umlaut
å	00E5	47	Small a over circle
æ	00E6	9C	Small diphtong



...1	Unicode	500	Description
ç	00E7	48	Small c cedilla
è	00E8	54	Small e grave
é	00E9	51	Small e acute
ê	00EA	52	Small e circumflex
ë	00EB	53	Small e umlaut
ì	00EC	58	Small i grave
í	00ED	55	Small i acute
î	00EE	56	Small i circumflex
ï	00EF	57	Small i umlaut
ð	00F0	9C	Small eth, Icelandic
ñ	00F1	49	Small n tilde
ò	00F2	CD	Small o grave
ó	00F3	CE	Small o acute
ô	00F4	CB	Small o circumflex
õ	00F5	CF	Small o tilde
ö	00F6	CC	Small o umlaut
÷	00F7	4E	Divide sign
ø	00F8	70	Small o, slash
ù	00F9	DD	Small u grave
ú	00FA	DE	Small u acute
û	00FB	DB	Small u circumflex
ü	00FC	DC	Small u umlaut
ý	00FD	8D	Small y acute
þ	00FE	8E	Small thorn, Icelandic
ÿ	00FF	DF	Small y umlaut



Publication event list

Doc status	Kinds	Cchange tags	Short description
n	A1,A2		EP A1/A2 publications
r	A1,A2		International applications (Article 153(4)). Note: country attribute contains "WO"
r	A1,A2	r=B006EP n=B237 n=B840	International applications not entering the EP phase. Note: country attribute contains "WO"
r	A1,A2	n=B844EP	Designated & extended states confirmed
r	A1,A2	n=B0750EP	Petition for review (PREV) Documents discovered after completion of EP search report
r	A1,A2	n=B566EP	Separate publication
n	A3		Separate publication
r	A1,A2	n=B880	Date of publication of the search report
r	A1,A2	n=B565	Date of completion of the search report
r	A1,A2	n=B565EP	Drawing up of a supplementary EP search report
r	A1,A2	n=B241	Date of filing of request for examination
r	A1,A2	n=B242	Date of despatch of first examination report
r	A1,A2	n=B452EP	Intention to grant
r	A1,A2	n=B235	Date refusal of the EP patent application
r	A1,A2	n=B236	Date withdrawn of the EP patent application
r	A1,A2	n=B237	Date "deemed withdrawn" of the EP patent application
r	A1,A2	n=B238EP n=B238	Date of receipt of request for re-establishment of rights Date and purport of decision on request for request for
r	A1,A2	n=B004EP n=B245	re-establishment of rights Date of suspension in case referred to Rule 14.
r	A1,A2	n=B245EP	Note: Tag B245EP contains value '1' Date of resumption in case referred to Rule 14. Note: Tag B245EP contains value '1'
r	A1,A2	n=B246 n=B245	Date of interruption in case referred to Rule 142
r	A1,A2	n=B246	Date of resumption in case referred to Rule 142
r	A1,A2	n=B244	Filing of a request for conversion Article 135
r	A1,A2	n=B790	Licences
r	A1,A2	n=B010EP	Legal means and other rights
r	A1,A2	n=B080EP	Public notification
r	A1,A2	r/d=B250	Language of filing
r	A1,A2	r/d=B251EP	Procedure language
r	A1,A2	r/d=B220	Date of filing
r	A1,A2	r/d=B270	Previously filed application (EAPP)
r	A1,A2	r/d=B510EP	International patent classification
r	A1,A2	r/d=B880	Separate publication of the EP search report
r	A1,A2	r/d=B0750EP	Petition for review (PREV)
r	A1,A2	r/d=B565	Date of completion of the search report



r	A1,A2	r/d=B565EP	Drawing up of a supplementary EP search report
r	A1,A2	r/d=B241	Date of filing of request for examination
r	A1,A2	r/d=B242	Date of despatch of first examination report
r	A1,A2	r/d=B452EP	Intention to grant (IGRA)
r	A1,A2	r/d=B300	Priority data
r	A1,A2	r/d=B740	Attorney/Representative of the applicant(s)
		r/d=B710	Applicant (transfer of rights).
r	A1,A2	r/d=B730	Note: Presence of B718EP tag
r	A1,A2	r/d=B840	Designated contracting states
r	A1,A2	r/d=B720	Inventor
r	A1,A2	r/d=B610	Application number of the earlier application
r	A1,A2	r/d=B620	Application number of the original application
r	A1,A2	r/d=B620EP	Application number of the divisional application
		r/d=B540	
r	A1,A2	r/d=B542	Title of invention (German)
		r/d=B540	
r	A1,A2	r/d=B542	Title of invention (English)
		r/d=B540	
r	A1,A2	r/d=B542	Title of invention (French)
r	A1,A2	r/d=B244	Filing of a request for conversion under Article 135
		r/d=B860	
r	A1,A2	r/d=B870	PCT data
r	A1,A2	r/d=B880	Date of international search report for PCT applications
r	A1,A2	r/d=B236	Date withdrawn of the EP patent application
	A1,A2,		
r	B1,B2,B3	r/d=B238EP	Date of receipt of request for re-establishment of rights
		r/d=B238	Date and purport of decision on request for request for
r	A1,A2	r/d=B004EP	re-establishment of rights
		r/d=B245	Date of suspension in case referred to Rule 14.
r	A1,A2	r/d=B245EP	Note: Tag B245EP contains value '1'
		r/d=B245	
r	A1,A2	r/d=B245EP	Date of interruption in case referred to Rule 142
			Date of resumption in case referred to Rule 14.
r	A1,A2	r/d=B246	Note: Tag B245EP contains value '1'
r	A1,A2	r/d=B246	Date of resumption in case referred to Rule 142
		r/d=B430	
		r/d=B130	
r	A1,A2	d=B110	Date and kind 1st publ
r	A1,A2	r/d=B130	Kind 1st publ
r	A1,A2	r/d=B260	Publication language
			Documents discovered after completion of
r	A1,A2	r/d=B566EP	EP search report
r	A1,A2	r/d=B237	Date "deemed withdrawn" of the EP patent application
r	A1,A2	r/d=B235	Date refusal of the EP patent application
r	A1,A2	r/d=B790	Licences
r	A1,A2	r/d=B010EP	Legal means and other rights
r	A1,A2	r/d=B451EP	Announcement to grant



r	A1,A2	r/d=B050EP	Miscellaneous
r	A1,A2	r/d=B844EP	Extended states
r	A1,A2	r/d=B848EP	Validated states
r	A1,A2	r/d=B710	Applicant (name/address)
c	A8,A9		Correction on Applications
n	B1		Patent specification (Granted patent)
r	B1,B2,B3	n=B0123EP	Decision on revocation request
r	B1,B2,B3	n=B0127EP	Date of legal effect on revocation
r	B1,B2,B3	n=B091EP	Limitation admissible
r	B1,B2,B3	n=B091EP	Limitation inadmissible
r	B1,B2,B3	n=B091EP	Limitation deemed not filed
r	B1,B2,B3	n=B091EP	Limitation deemed not filed: opposition
r	B1,B2,B3	n=B091EP	Limitation withdrawn
r	B1,B2,B3	n=B092EP	Limitation Rejected
r	B1,B2,B3	n=B093EP	Limitation Allowed
r	B1,B2,B3	n=B475	Date of lapse of the EP patent
r	B1,B2,B3	n=B0750EP	Petition for review (PREV)
r	B1,B2,B3	n=B781	Opposition
r	B1,B2,B3	n=B781	Opposition withdrawn
r	B1,B2,B3	n=B781	Intervention Art. 105 EPC
r	B1,B2,B3	n=B781	Intervention admissible
r	B1,B2,B3	n=B781	Intervention inadmissible
r	B1,B2,B3	n=B781	Intervention deemed not to be filed
r	B1,B2,B3	n=B781	Intervention withdrawn
r	B1,B2,B3	n=B078EP	No opposition filed
r	B1,B2,B3	n=B781	Opposition deemed not to have been filed
r	B1,B2,B3	n=B781	Inadmissible opposition
r	B1,B2,B3	n=B239	Revocation of the EP patent
n	B2		New patent specification B2
r	B1,B2,B3	n=B787	Rejection of the opposition
r	B1,B2,B3	n=B788	Termination of opposition procedure
r	B1,B2,B3	n=B244	Filing of a request for conversion under Article 135
		n=B238	
r	B1,B2,B3	n=B004EP	Date of receipt of request for re-establishment of rights
		n=B245	Date of suspension in case referred to Rule 14.
r	B1,B2,B3	n=B245EP	Note: Tag B245EP contains value '1'
			Date of resumption in case referred to Rule 14.
r	B1,B2,B3	n=B246	Note: Tag B245EP contains value '1'
		n=B245	
r	B1,B2,B3	n=B245EP	Date of interruption in case referred to Rule 142
r	B1,B2,B3	n=B246	Date of resumption in case referred to Rule 142
r	B1,B2,B3	r/d=B250	Language of filing
r	B1,B2,B3	r/d=B251EP	Procedure language
r	B1,B2,B3	r/d=B220	Date of filing
r	B1,B2,B3	r/d=B270	Previously filed application (EAPP)
r	B1,B2,B3	r/d=B091EP	Limitation changed



r	B1,B2,B3	r/d=B510EP	International patent classification
r	B1,B2,B3	r/d=B0750EP	Petition for review (PREV)
r	B1,B2,B3	r/d=B092EP	Limitation Rejected
r	B1,B2,B3	r/d=B093EP	Limitation Allowed changed
r	B1,B2,B3	r/d=B0123EP	Decision on revocation request changed
r	B1,B2,B3	r/d=B0127EP	Date of legal effect on revocation
r	B1,B2,B3	r/d=B565EP	Drawing up of a supplementary EP search report
r	B1,B2,B3	r/d=B242	Date of despatch of first examination report
r	B1,B2,B3	r/d=B300	Priority data
r	B1,B2,B3	r/d=B740	Attorney/Representative of proprietor(s)
		r/d=B730	Proprietor of the patent (transfer of rights).
r	B1,B2,B3	r/d=B710	Note: Presence of B738EP tag
r	B1,B2,B3	r/d=B840	Designated Contracting States
r	B1,B2,B3	r/d=B720	Inventor
r	B1,B2,B3	r/d=B610	Application number of earlier EP application
r	B1,B2,B3	r/d=B620	Application number of original application
r	B1,B2,B3	r/d=B620EP	Application number of divisional application
		r/d=B540	
r	B1,B2,B3	r/d=B542	Title of invention (German)
		r/d=B540	
r	B1,B2,B3	r/d=B542	Title of invention (English)
		r/d=B540	
r	B1,B2,B3	r/d=B542	Title of invention (French)
		r/d=B860	
r	B1,B2,B3	r/d=B870	PCT data
r	B1,B2,B3	r/d=B781	Opposition
r	B1,B2,B3	r/d=B781	Opposition admissible
r	B1,B2,B3	r/d=B781	Opposition inadmissible
r	B1,B2,B3	r/d=B781	Opposition deemed not to be filed
r	B1,B2,B3	r/d=B781	Opposition withdrawn
r	B1,B2,B3	r/d=B781	Intervention Art. 105 EPC
r	B1,B2,B3	r/d=B781	Intervention admissible
r	B1,B2,B3	r/d=B781	Intervention inadmissible
r	B1,B2,B3	r/d=B781	Intervention deemed not to be filed
r	B1,B2,B3	r/d=B781	Intervention withdrawn
r	B1,B2,B3	r/d=B787	Rejection of the opposition
r	B1,B2,B3	r/d=B239	Revocation of the EP patent
			Date of receipt of request
r	B1,B2,B3	r/d=B238EP	for re-establishment of rights
		r/d=B238	
r	B1,B2,B3	r/d=B004EP	Date and purport of decision on request for request
		r/d=B245	for re-establishment of rights
r	B1,B2,B3	r/d=B245EP	Date of suspension in case referred to Rule 14.
		r/d=B245	Note: Tag B245EP contains value '1'
r	B1,B2,B3	r/d=B245EP	Date of interruption in case referred to Rule 142
			Date of resumption in case referred to Rule 14.
r	B1,B2,B3	r/d=B246	Note: Tag B245EP contains value '1'

r	B1,B2,B3	r/d=B246 r/d=B450	Date of resumption in case referred to Rule 142
r	B1,B2,B3	r/d=B130 r/d=B477 r/d=B130	Date & kind of publication B1 publication
r	B1,B2,B3	r,d=B243 r/d=B4530EP	Date & kind of publication of B2 publication
r	B1,B2,B3	r/d=B130	Date & kind of publication of B3 publication
r	B1,B2,B3	r/d=B260	Publication language
r	B1,B2,B3	r/d=B475	Date of lapse of the EP patent
r	B1,B2,B3	r/d=B451EP	Announcement to grant
r	B1,B2,B3	r/d=B050EP	Miscellaneous
r	B1,B2,B3	r/d=B788	Termination of opposition procedure
r	B1,B2,B3	r/d=B844EP	Extended states
r	B1,B2,B3	r/d=B848EP	Validated states
r	B1,B2,B3	r/d=B781	Inadmissible opposition
r	B1,B2,B3	r/d=B781	Opposition deemed not to have been filed
r	B1,B2,B3	r/d=B078EP	No opposition filed
r	B1,B2,B3	r/d=B730	Proprietor of the patent (name/address)
r	B1,B3	n/r/d=B921	Registration date of the opt-out
r	B1,B3	n/r/d=B922	Withdrawal date of the opt-out
c	B8,B9		Correction on Patents
n	B3		Limited patent B3

Publication events for granted patents with “Unitary Patent Protection”

r	B1,B2,B3	n=B7001	Date of filing of the request
r	B1,B2,B3	n=B7002	Date & purport of decision
r	B1,B2,B3	n=B7004	Date of withdrawal
r	B1,B2,B3	n=B7050	Renewal fee
r	B1,B2,B3	n=B7471	Patent deemed lapsed
r	B1,B2,B3	n=B7475	Patent lapsed
r	B1,B2,B3	n=B7231	Date of request for REES
r	B1,B2,B3	n=B7238	Date of decision on REES
r	B1,B2,B3	n=B7091	Intention to license
r	B1,B2,B3	n=B7092	Withdrawal intention to license
r	B1,B2,B3	n=B7790	Licence registrations
r	B1,B2,B3	n=B7010	Legal means of executions
r	B1,B2,B3	n=B7245	Date of interruption
r	B1,B2,B3	n=B7246	Date of resumption
r	B1,B2,B3	n=B7239	Date of revocation
		n=B7123	
r	B1,B2,B3	n=B7127	Date of revocation request
r	B1,B2,B3	n=B7080	Public notification



r	B1,B2,B3	n=B7910	Limitation procedure
r	B1,B2,B3	n=B7920	Rejection limitation request
r	B1,B2,B3	n=B7930	Limitation request allowed
r	B1,B2,B3	r/d=B7001	Date of filing of the request
r	B1,B2,B3	r/d=B7002	Date & purport of decision
r	B1,B2,B3	r/d=B7004	Date of withdrawal
r	B1,B2,B3	r/d=B7031	Licensing commitments
r	B1,B2,B3	r/d=B7041	Information communicated by other authorities
r	B1,B2,B3	r/d=B7050	Date of payment/penalty of renewal fee
r	B1,B2,B3	r/d=B7061	Action filed at the UPC
r	B1,B2,B3	r/d=B7062	Decision on the filed action at the UPC
r	B1,B2,B3	r/d=B7065	Appeal filed on a decision given by the UPC
r	B1,B2,B3	r/d=B7066	Decision on the filed appeal
r	B1,B2,B3	r/d=B7471	Patent deemed lapsed
r	B1,B2,B3	r/d=B7475	Patent lapsed
r	B1,B2,B3	r/d=B7231	Date of request for REES
r	B1,B2,B3	r/d=B7238	Date/Purport of decision on REES
r	B1,B2,B3	r/d=B7091	Intention to licence
	B1,B2,B3	r/d=B7092	Withdrawal of intention to licence
r	B1,B2,B3	r/d=B7790	Licence registrations
r	B1,B2,B3	r/d=B7010	Legal means of executions
r	B1,B2,B3	r/d=B7245	Date of interruption
r	B1,B2,B3	r/d=B7246	Date of resumption
r	B1,B2,B3	r/d=B7239	Date of revocation
		r/d=B7123	
r	B1,B2,B3	r/d=B7127	Date of revocation request
r	B1,B2,B3	r/d=B7080	Public notification
r	B1,B2,B3	r/d=B7910	Limitation procedure
r	B1,B2,B3	r/d=B7920	Rejection limitation request
r	B1,B2,B3	r/d=B7930	Limitation request allowed
r	B1,B2,B3	r/d=B7021	Date of registration of UPP
r	B1,B2,B3	r/d=B7022	Date of effect of UPP
r	B1,B2,B3	r/d=B7023	Country codes of UPP
r	B1,B2,B3	r/d=B7006	Place of business
r	B1,B2,B3	r/d=B7720	Inventors of UPP
r	B1,B2,B3	r/d=B7730	Proprietor(s) of UPP
r	B1,B2,B3	r/d=B7740	Attorney/Representative of the proprietor(s) of UPP
u	C0		Unitary Patent Protection registered
d	C0		Unitary Patent Protection deleted